

T100R Thermostat with remote sensor

The Honeywell Braukmann T100R thermostatic control with remote sensor is designed for hydronic heating systems where remote sensing is required. The T100R is equipped with a 2 meter [6' 8"] long capillary with the sensor attached at the end. A strap clamp is provided for attaching the sensor externally to heating system pipe.

The control head is equipped with a knurled ring for attachment to the control valve. The control head is calibrated with scale setting from 0 to 12. Two temperature ranges are available for covering the adjustment ranges from 10 to 50 C [44 to 122 F], and 30 to 70 C [86 to 158 F]. The T100R is normally used with the V135 for diverting or mixing, or with the V100 valves for straight through fluid flow applications. It is suitable for mounting on V100 or V135 valves from 3/4" to 1-1/4" sizes.

Construction

The thermostat housing is made from high quality engineering plastic with low heat conductivity for maximum efficiency. The sensor is liquid filled and its internal parts are designed for sensitive temperature regulation.

Specifications

Attachment ring nut thread size:	M30 x 1.5
Hysteresis:	0.3 C [0.7 F]
Time constant (sensor reaction time):	T=10 sec.
Capillary length:	2 meter [6" 8"]
Max. temp. (at valve attachment ring):	120C [248F]
Max. temp. (at sensing bulb):	Set point + 40C[104F]
T100R adjustment ranges:	
	10 - 50 C [50 - 122 F]
	30 - 70 C [86 - 158 F]

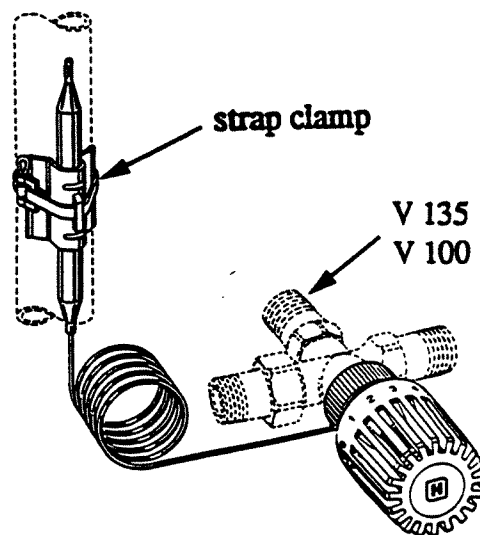
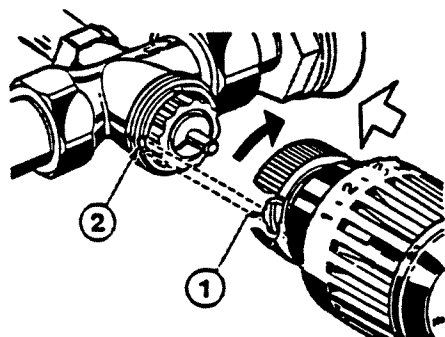


Figure 2

Installation and adjustments

1. When installing the T100R controls, make sure that the knurled ring is tightened firmly to the valve body. Improper mounting of the control will cause inaccurate functioning of the control. For proper installation, see Figure 1.

- For accurate temperature regulation, make sure that the strap clamp is firmly tightened and good contact is made between the pipe and the sensor. For proper sensor attachment, see Figure 2.
- Excess capillary tubing should be coiled and stored away from any heat source. Care must be taken not to break, kink or sharply bent the capillary tubing.



Screw on thermostatic unit, the cam 1 catching into the grooves 2

Figure 1

Temperature reference guide

T100R : 10 - 50 C [50 - 122 F]

Scale setting	0	1	2	3	4	5	6
Degree C	10	13	17	20	23	27	30
Degree F	50	55	63	68	73	81	86
Scale setting	7	8	9	10	11	12	
Degree C	33	37	40	43	47	50	
Degree F	91	99	104	109	117	122	

T100R: 30 - 70 C [86 - 158 F]

Scale setting	0	1	2	3	4	5	6
Degree C	30	33	37	40	43	47	50
Degree F	86	91	99	104	109	117	122
Scale setting	7	8	9	10	11	12	
Degree C	53	57	60	63	67	70	
Degree F	127	135	140	145	153	158	