

IMPORTANT

1. Always include complete heater model and serial number so that any specification change can be considered for parts shipment. It can save time and expense.
2. Specifications subject to change without notice.
3. We reserve the right to substitute functional replacements.
4. Order by Part Number. Do not order by Option Number.



XL, XLB, EEXL, EEXLB, CXL, CXLB, CEEXL, CEEXLB

OBSOLETES PARTS FORM 727-7
OBSOLETES FORM 727-6

REZ NOR[®] MERCER, PA. 16137

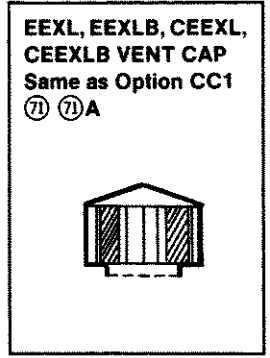
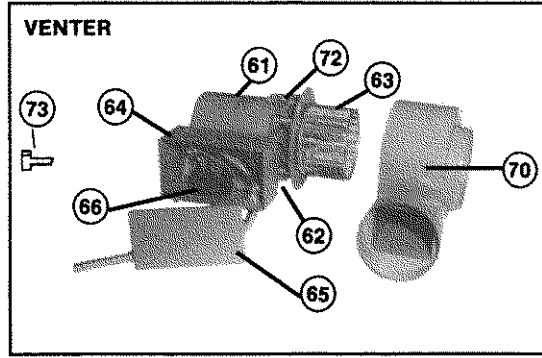
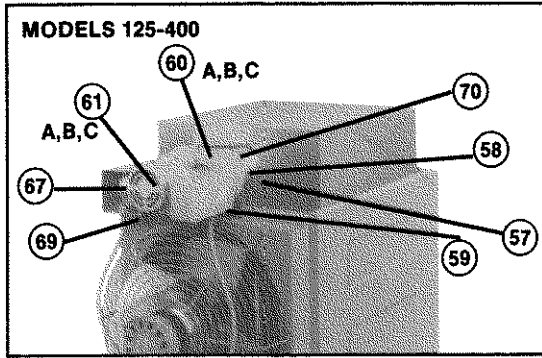
APPLIES TO:

Service Data

INDEX REFERENCE BY PAGE NUMBER	XL	XLB	EEXL	EEXLB	CXL	CXLB	CEEXL	CEEXLB
Blower and Components — Size 30-105		7		7		7		7
Blower and Components — Size 125-400		8-9		8-9		8-9		8-9
Blower Cabinet — Sizes 30-105		21		21		21		
Burner Racks and Carryovers — Sizes 30-105	15	15	15	15	15	15	15	15
Burner Racks and Carryovers — Sizes 125-400	16	16	16	16	16	16	16	16
Cabinet Parts	4-5	4-5	4-5	4-5	4-5	4-5	4-5	4-5
Drafthoods	4-5	4-5	4-5	4-5	4-5	4-5	4-5	4-5
ECO Device	19	19			19	19		
Fan and Components	6		6		6		6	
Fan Control	13, 19	13, 19	13, 19	13, 19	13, 19	13, 19	13, 19	13, 19
Flue Baffle Assemblies — Sizes 30-105	5	5			5	5		
Hanger Kits	23	23	23	23	23	23	23	23
Heat Exchangers Baffles	14	14	14	14	14	14	14	14
Heat Exchangers and Related Parts	12-13	12-13	12-13	12-13	12-13	12-13	12-13	12-13
Limit Control	13, 19	13, 19	13, 19	13, 19	13, 19	13, 19	13, 19	13, 19
Motors	6	7-9	6	7-9	6	7-9	6	7-9
Outlet Box	19	19	19	19	19	19	19	19
Outlet Nozzles	22	22	22	22	22	22	22	22
Pilots	17-18	17-18	17-18	17-18	17-18	17-18	17-18	17-18
Rating Plate	2	2	2	2	2	2	2	2
Replacement Parts Tag	2	2	2	2	2	2	2	2
Serial Number Information	2-3	2-3	2-3	2-3	2-3	2-3	2-3	2-3
Summer-Winter Switch	19	19	19	19	19	19	19	19
Transformers (Control)	20	20	20	20	20	20	20	20
Transformers (KVA)	20	20	20	20	20	20	20	20
Valves (Shutoff)	19	19	19	19	19	19	19	19
Venter (Powered) and Components — Sizes 30-105			10	10			10	10
Venter (Powered) and Components — Sizes 125-400			11	11			11	11
Venter and Venter Adapters For Gravity Units	23	23			23	23		

- Additional References:**
- Form 701, Replacement Pilots
 - Form 702, Replacement Thermostats
 - Form 703, Converting to Other Gases
 - Form 713, Replacement Fan and Limit Controls
 - Form 714, Replacement Gas Valves
 - Form 721, Venters and Adapters for Gravity Units
 - Form CP-14, Ignition Conversion G65 to G770
 - Form CP-15, Ignition Conversion G60AAG to G67/G770
 - Form CP-19, Ignition Conversion G60PFH to G770

VENTERS AND COMPONENTS USED ON EEXL, CEEXL, EEXLB, CEEXLB 125-400



CODE	DESCRIPTION	CODE	DESCRIPTION
57	Exhaust collar and pipe assembly with 1/4 tube x 1/8 pipe fitting and spoiler where required. — EEXL	61B	Venter motor only, 208 volt — EEXLB, CEEXLB
57A	Same as 57 — EEXLB	61C	Venter motor only, 230 volt — EEXLB, CEEXLB
57B	Same as 57 — CEEXL	62	Venter fan blade
57C	Same as 57 — CEEXLB	63	Venter blower wheel
58	Compression Fitting	64	Venter junction box
59	Venter support angle (not illustrated).	65	Venter junction box cover
59A	Venter support — size 125-250. Requires 59.	66	Venter relay
60	Venter assembly complete. 115 volt. Less pressure switch, less pressure switch tubing, less venter support — EEXL	67	Pressure switch
60A	Same as 60 — EEXLB	68	Pressure switch tubing (not illustrated)
60B	Same as 60 — CEEXL	69	Pressure switch mounting bracket
60C	Same as 60 — CEEXLB	70	Venter blower housing
61	Venter motor only, 115 volt — EEXL, CEEXL	71	Vent cap — EEXL, EEXLB
61A	Venter motor only, 115 volt — EEXLB, CEEXLB	71A	Vent cap — CEEXL, CEEXLB
		72	Bracket
		73	Fuseholder assembly — Canadian units only. Located in venter junction box on EEXL, EEXLB models.

CODE	SIZE									
	125	140	150	170	200	225	250	300	350	400
57	61051	61051	61051	61051	61051	61054	61051	61056	61056	61056
57A	61051	61051	61051	61051	61051	61054	61051	61779	61779	61779
57B	87326	87329	87326	87326	87326	87330	87326	87332	87335	95660
57C	87326	87329	87326	87326	87326	87330	87326	87337	87339	95681
58	1436(2)	1436(2)	1436(2)	1436(2)	1436(2)	1436(2)	1436(2)	1436(2)	1436(2)	1436(2)
59	62544	62544	62544	62544	62544	62544	62544	62497	62497	62497
59A	62545	62545	62545	62545	62545	62545	62545	N/A	N/A	N/A
60	61063	61063	61063	61063	61063	61071	61071	61074	61074	61074
60A	61063	61063	N/A	61063	61063	61071	61071	61074	61074	61074
60B	61063	61063	61071	61071	61071	61071	61071	61074	61074	61074
60C	61063	61063	61071	61071	61071	61071	61071	61074	61074	62820
61	61069	61069	61069	61069	61069	61069	61069	87434★	87434★	87434★
61A	61069	61069	61069	61069	61069	61069	61069	87434★	87434★	87434★
61B	62814	62814	62814	62814	62814	62814	62814	30249	30249	30249
61C	62814	62814	62814	62814	62814	62814	62814	29571	29571	29571
62	29793	29793	29793	29793	29793	29793	29793	29793	29793	29793
63	29791	29791	29791	29791	29791	29791	29791	29792	29792	29792
64	29595	29595	29595	29595	29595	29595	29595	29595	29595	29595
65	29596	29596	29596	29596	29596	29596	29596	29596	29596	29596
66	14747	14747	14747	14747	14747	14747	14747	14747	14747	14747
67	61147	61147	61147	61147	61147	61147	61147	61147	61147	61147
68	61163	61163	61163	61163	61163	61163	61163	61164	61164	61164
69	61070	61070	61070	61070	61070	61070	61070	61070	61070	61070
70	61064	61064	61072	61072	61072	61072	61072	61075	61075	61075
71	110051-4"	110051-4"	110051-4"	110051-4"	110051-4"	110052-5"	110052-5"	110053-6"	110053-6"	110053-6"
71A	110051-4"	110051-4"	110052-5"	110052-5"	110052-5"	110052-5"	110052-5"	110053-6"	110053-6"	110053-6"
72	31393	31393	31393	31393	31393	31393	31393	31393	31393	31393
73	60241	60241	60241	60241	60241	60241	60241	60241	60241	60241

★Does not include capacitor, P/N 87435.