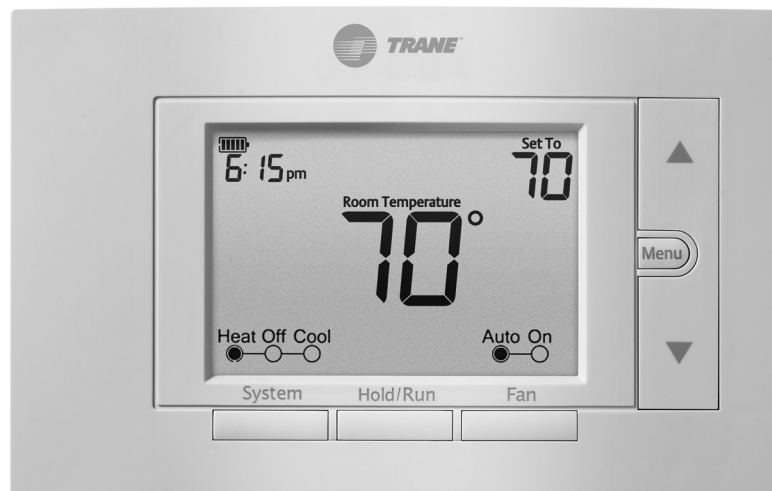




**TRANE®**

# Trane XR203 Programmable Thermostat TCONT203AS42MA Installation and User Guide



ALL phases of this installation must comply with NATIONAL, STATE AND LOCAL CODES

**IMPORTANT** — This Document is customer property and is to remain with this unit.

These instructions do not cover all variations in systems or provide for every possible contingency to be met in connection with the installation. Should further information be desired or should particular problems arise which are not covered sufficiently for the purchaser's purposes, the matter should be referred to your installing dealer or local distributor.

Pub No. 18-HD50D1-1A-EN

Part No. 37-7768003

December 2018

# Contents

1. Safety.....	2	1 or 2 Stage Cooling with TEM 6 VS Gas Furnace	10
2. Product Specifications .....	3	1 Stage Cooling with GAT2, GAM2 & TEM3, 4	10
3. General Information .....	3	2 Stage heat Pump with GAM5B	11
3.1 Overview .....	3	1 Stage Heat Pump with GAF2-S	11
3.2 Contents.....	3	1 Stage Heat Pump with GAT2, GAM2, TEM3, TEM4	12
3.3 Accessories.....	3	1 or 2 Stage Heat Pump with GAM5A or TAM4 or GAF2-36M	12
4. Installation .....	3	1 Stage Cooling with GAF2-S	13
4.1 Location .....	4	4.6 Installer Menu .....	14
Figure 1: Placement		5. Test Modes	
4.2 Mounting .....	4	5.1 Fan Operation .....	15
4.3 Battery Location.....	4	5.2 Heating System .....	15
4.4 Battery Replacement.....	4	5.3 Auxiliary System .....	15
4.5 Wiring Diagrams.....	5	5.4 Cooling System .....	15
1 or 2 Stage Heat Pump with TAM7/TAM9 (24V Mode)	5	6. Thermostat Overview	
1 or 2 Stage Cooling with TAM7/TAM9 (24V Mode)	5	6.1 User Menu .....	16
1 Stage Cooling with GAF2-S	6	6.2 Thermostat Operation.....	17
1 or 2 Stage Cooling with SV92 Furnace	6	6.3 Scheduling.....	18
1 or 2 Stage Heat Pump with S9V2 Furnace	7	6.4 Modifying the Heating Schedule.....	18
1 Stage Heat Pump with Variable Speed Gas Furnace	7	6.5 Modifying the Cooling Schedule.....	18
1 or 2 Stage Heat/Cool Package with Variable Speed Blower	8	6.6 Thermostat Settings.....	18
1 or 2 Stage Heat Pump Package with Non VSB	8	7. Troubleshooting .....	19
1 Stage Heat Pump with Non Variable Speed Blower	9		
1 or 2 Stage Heat/Cool Package	9		

## 1. Safety

### WARNING

**FAILURE TO READ AND FOLLOW ALL INSTRUCTIONS CAREFULLY BEFORE INSTALLING OR OPERATING THIS CONTROL COULD CAUSE PERSONAL INJURY AND/OR PROPERTY DAMAGE.**

This information is intended for use by individuals possessing adequate backgrounds of electrical, mechanical, HVAC and experience. Any attempt to repair a HVAC system may result in personal injury and/or property damage. The manufacturer or seller cannot be responsible for the interpretation of this information, nor can it assume any liability in connection with its use.

#### **LIVE ELECTRICAL COMPONENTS!**

During installation, testing, servicing, and troubleshooting of this product, it may be necessary to work with live electrical components. Failure to follow all electrical safety precautions when exposed to live electrical components could result in death or serious injury.

Do not use on circuits exceeding specified voltage. Higher voltage will damage control and could cause shock or fire hazard.

Do not short out terminals on gas valve or primary control to test. Short or incorrect wiring will burn out thermostat and could cause personal injury and/or property damage.

### CAUTION

To prevent electrical shock and/or equipment damage, disconnect electric power to system at main fuse or circuit breaker box until installation is complete.

To prevent compressor and/or property damage, if the outdoor temperature is below 55°F, **DO NOT** operate the cooling system. Do not allow the compressor to run unless the compressor oil heaters have been operational for six hours and the system has not been operational for at least five minutes.

#### **ATTENTION: MERCURY NOTICE**

This product does not contain mercury. However, this product may replace a product that contains mercury.

Mercury and products containing mercury must not be discarded in household trash. Do not touch any spilled mercury. Wearing non-absorbent gloves, clean up any spilled mercury and place in a sealed container. For proper disposal of a product containing mercury or a sealed container of spilled mercury, place it in a suitable shipping container. Refer to [www.thermostat-recycle.org](http://www.thermostat-recycle.org) for location to send the product containing mercury.

## 2. Product Specifications

SPECIFICATION	DESCRIPTION
Product Models	TCONT203
Product	XR 203
Size	3-3/4" x 6" x 1-1/8" (HxWxD)
Configurations	Heat Pump, Heat/Cool, Dual Fuel, Dual Fuel Low Unrestricted Mode Only
Maximum Number of Stages	4 Stages Heat, 2 Stages Cooling
Operating Temperature	32°F to 105°F (0 to +41°C) / 90% RH Non Condensing
Shipping Temperature Range	-20 to 150°F (-29 to +65°C)
Input Power (DC)	Two 1.5V AA Alkaline
Input Power (AC)	20-30 VAC, NEC Class II, 50/60 HZ
Terminal Load	1.5A per terminal, 2.5A maximum all terminals combined
Wire Usage	18 AWG
System Modes	Auto, Heating, Cooling, Off, Emergency Heat
Fan Modes	Auto, On, Program
Indoor Temperature Display Range	32°F to 99°F

### RATED DIFFERENTIALS

	Fast	Medium	Slow
Heat (Conventional Gas/Oil/Electric or HP Aux)	0.5°F	0.75°F	1.9°F
Central Air (Cool ) or HP (Heat/Cool)	0.9°F	1.2°F	1.7°F

### THERMOSTAT APPLICATION GUIDE

Thermostat Configuration Options	Thermostat Applications	Maximum Stages Heat/Cool
Single Stage 1 No Heat Pump	Gas, Oil, Electric, Heat Only, Cool Only or Heat/Cool Systems, 2 or 3 wire Hydronic Zone (Hot Water or Steam) Systems, 24 Volt or Millivolt	1+1
Multi Stage 2 No Heat Pump		2+2
Heat Pump 1 Single Stage Compressor Heat Pump	Single Stage Compressor Heat Pump Systems - up to 2 Stages Aux./Emergency Heat	3+1
Heat Pump 2 Two Stage or Two Compressor Heat Pump	Two Stage or Two Compressor Heat Pump systems - up to 2 Stages Aux./Emergency Heat	4+2

\*On every application, 24VAC loads should be reviewed to be sure the indoor unit control power transformer is adequately sized.

**NOTE:** Use 18-gauge color-coded thermostat cable for proper wiring. Shielded cable is not typically required.

Keep this wiring at least one foot away from large inductive loads such as Electronic Air Cleaners, motors, line starters, lighting ballasts and large distribution panels. Failure to follow these wiring practices may introduce electrical interference (noise) which can cause erratic system operation.

All unused thermostat wire to be grounded at indoor unit chassis ground only. Shielded cable may be required if the above wiring guidelines cannot be met. Ground only one end of the shield to the system chassis.

## 3. General Information

### 3.1 Overview

The 203 is a programmable push button thermostat with a 3.5" backlit display. The 203 features a scheduling mode that can operate a 7-day program, 5-1-1 program or operate in a non-programmable mode.

### 3.2 Contents

- 1-Thermostat
- 1-Sub-base
- 2-Phillips slotted head mounting screws
- 2-Nylon Drywall Anchors
- 1-Installation Guide / User Guide

### 3.3 Accessories

Wall Cover Plate (BAYCOVR200A)

## 4. Installation

### 4.1 Location

The 203 is designed for installation in climate controlled living spaces. Place the unit in a central location with good circulation.

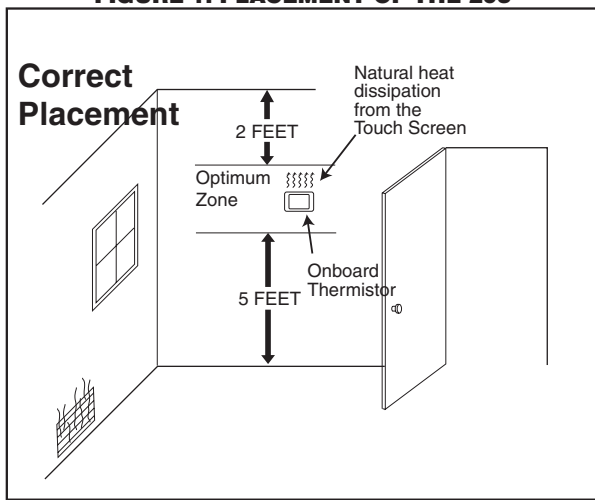
For proper temperature sensing, avoid exposing the 203 to heat radiated from lamps, sun light, fireplaces or any other radiant heat source.

Avoid locations close to windows, behind doors or alcoves with poor air circulation, adjoining outside walls, or doors that lead to the outside.

Select a location that prevents the 203 from being directly exposed to air currents from supply registers or ceiling fans.

Mount the Control on a section of interior wall that does not contain hot or cold water pipes or duct work.

**FIGURE 1. PLACEMENT OF THE 203**



## 4.2 Mounting / Installation

Follow these steps to mount the 203 Control to the wall.

1. Turn OFF all power to heating and cooling equipment.
2. If an existing thermostat is being replaced:

- a. Record color and terminal marking of each wire.
- b. Disconnect the wires from the existing thermostat being careful not to allow them to fall back into the wall.
- c. Remove the existing thermostat from the wall.
3. Pull the thermostat body off the thermostat base. Forcing or prying on the thermostat will cause damage to the unit.
4. Move base over hole in wall and mark mounting hole locations on wall using base as template. (See Fig. 1)
5. Move base out of the way. Drill mounting holes. If you are using existing mounting holes pull thermostat wire bundle through the hole in the thermostat base. Secure sub-base to the wall. Leveling is for appearance only and will not affect thermostat operation.
6. Connect wires to terminal block on base using appropriate wiring diagram.
7. Push excess wire into wall and plug hole with a fire resistant material (such as fiberglass insulation) to prevent drafts from affecting thermostat operation.
8. Two “AA” alkaline batteries are included in the thermostat at the factory with a battery tag to prevent power drainage
9. Remove the battery tag to engage the batteries

## 4.3 Battery Location

**FIGURE 2.**



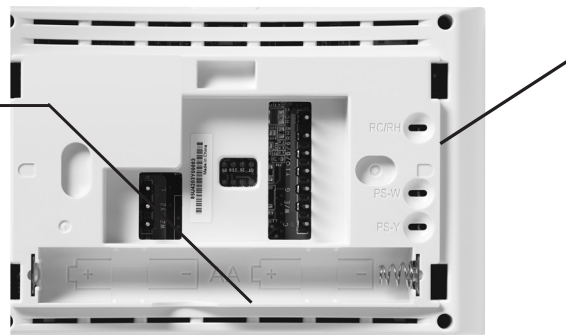
Leveling Thermostat  
Leveling is for appearance only and will not affect thermostat operation.

### IMPORTANT:

- Do not exceed the specification ratings.
- All wiring must conform to local and national electrical codes and ordinances.
- This control is a precision instrument, and should be handled carefully. Rough handling or distorting components could cause the control to malfunction

**FIGURE 3. BATTERY LOCATION**


Premium AA alkaline batteries are required when C-wire is not available. When C-wire is available, the batteries provide a back-up source of power (this will maintain the clock in the event of a power outage).



### RC/RH Jumper Wire

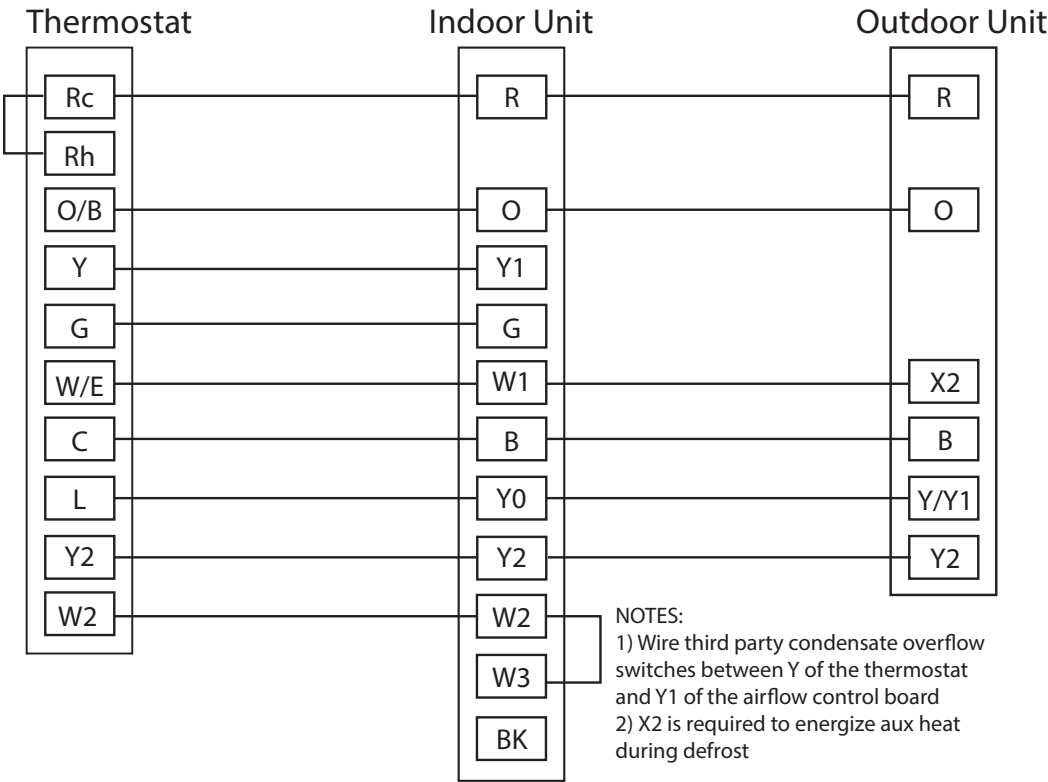
This thermostat electrically connects the RC and RH terminals so a jumper wire is not required. If the application provides a separate wire for RC and RH, clip the RC/RH jumper. This will isolate both terminals so they can be independently used.

## 4.4 Battery Replacement

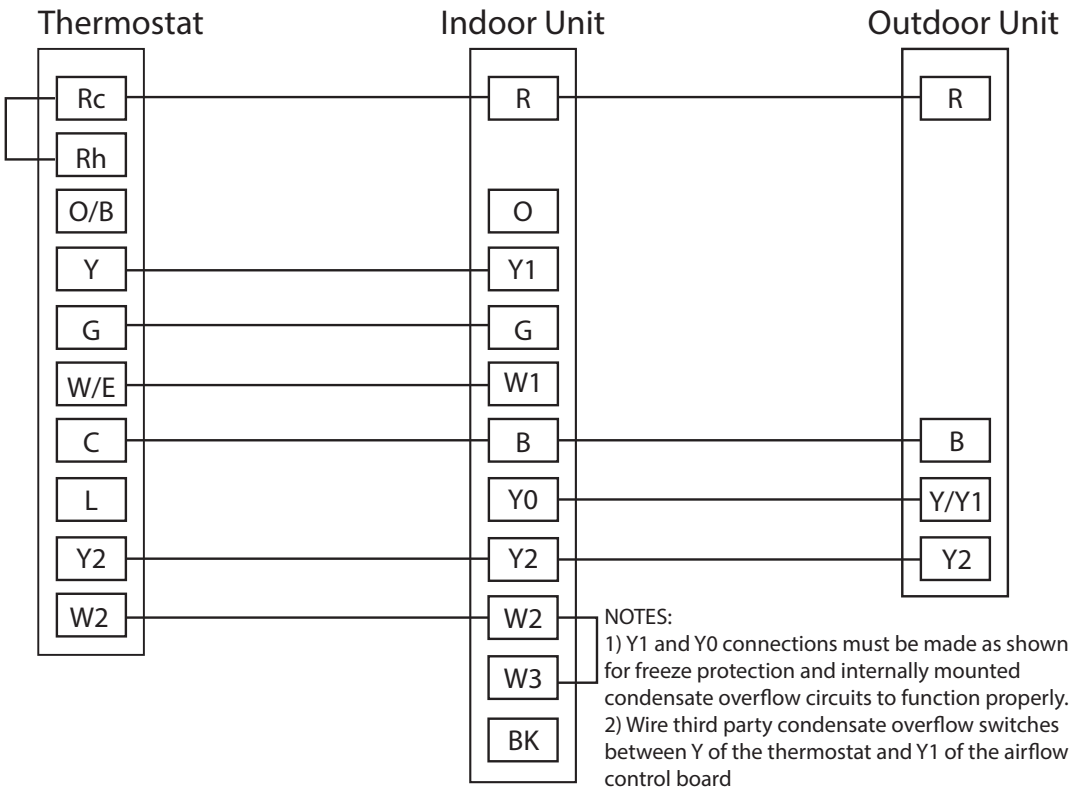
To replace batteries, set system to **OFF**, remove thermostat from wall and install the batteries in the rear along the bottom of the thermostat (see Figure 3). For best results, use a premium brand “AA” alkaline battery such as Duracell® or Energizer®. If the home is going to be unoccupied for an extended period (over 3 months) and “” is displayed the batteries should be replaced before leaving.

### 4.5 Wiring Diagrams

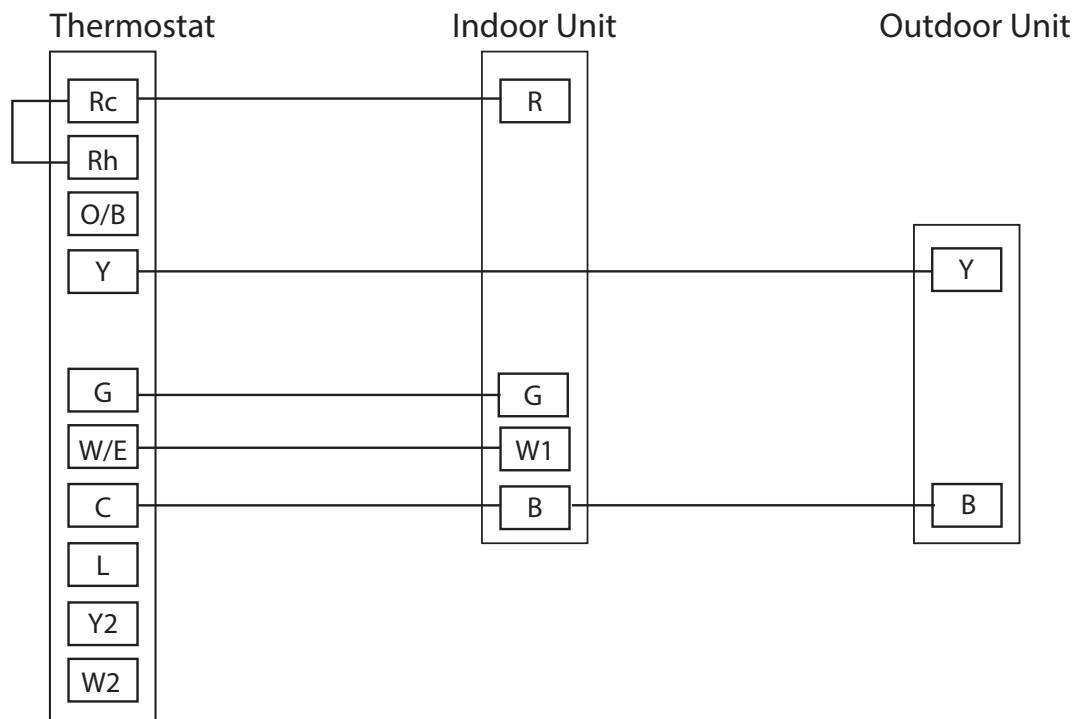
#### 1 or 2 Stage Heat Pump with TAM7/TAM9 (24V Mode)



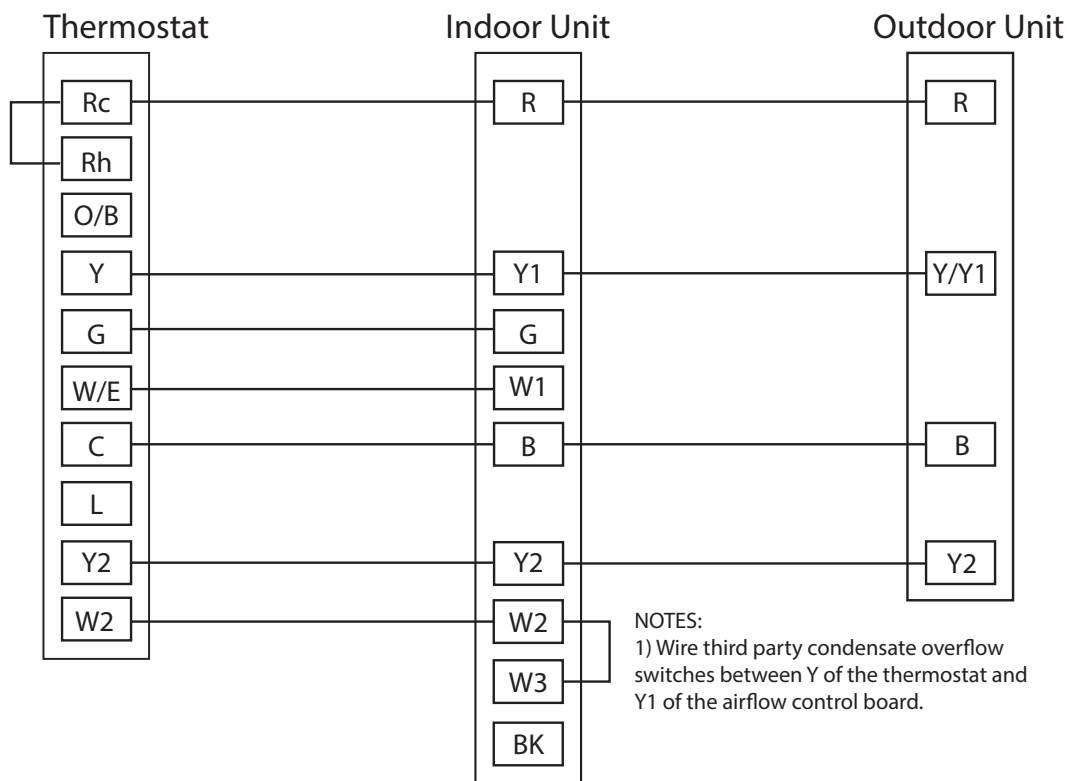
#### 1 or 2 Stage Cooling with TAM7/TAM9 (24V Mode)



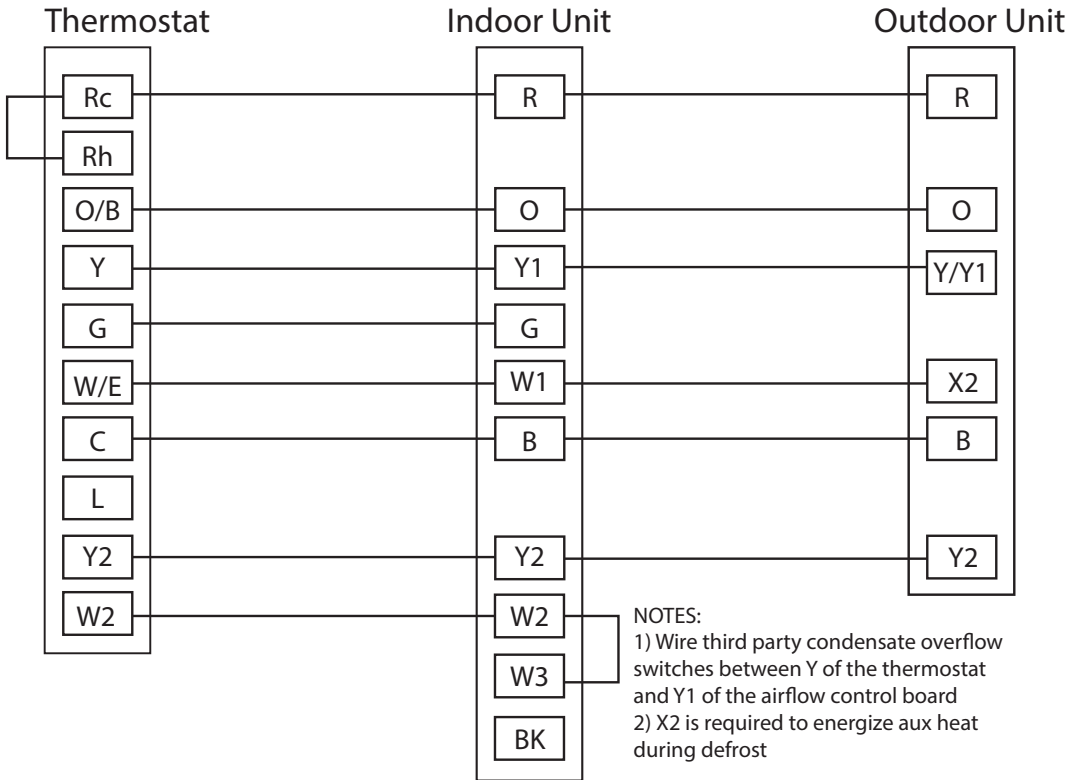
### Cooling with GAF2-S



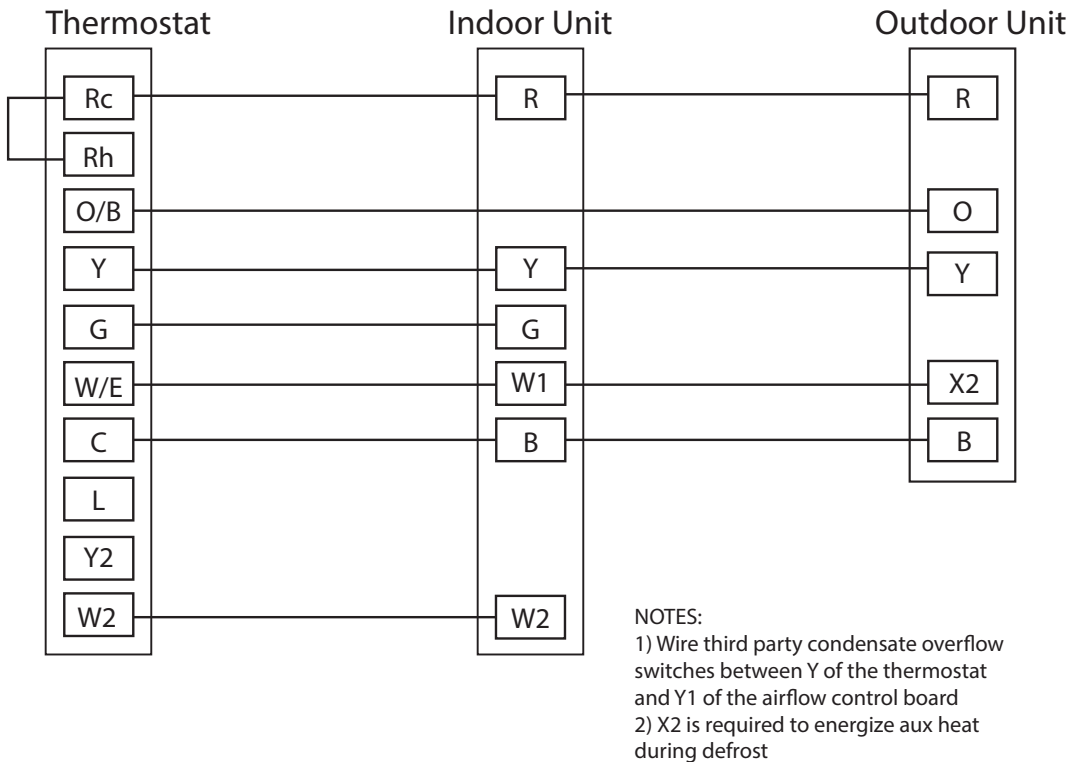
### 1 or 2 Stage Cooling with SV92 Furnace



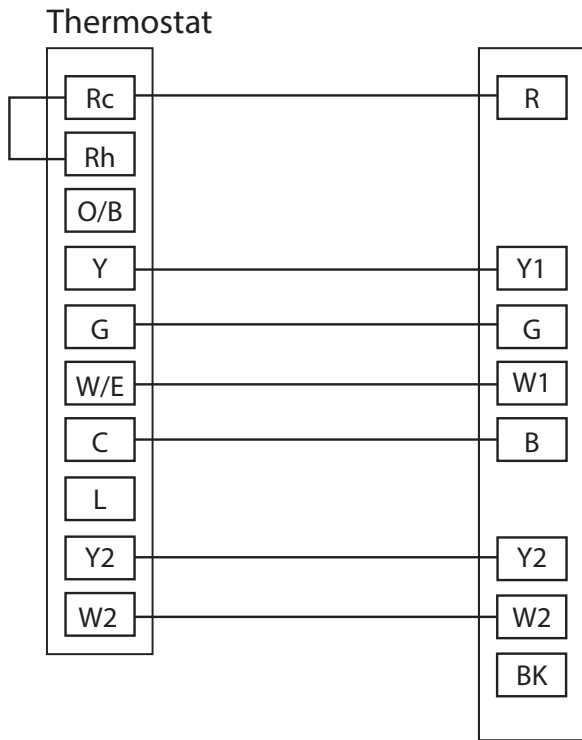
### 1 or 2 Stage Heat Pump with S9V2 Furnace



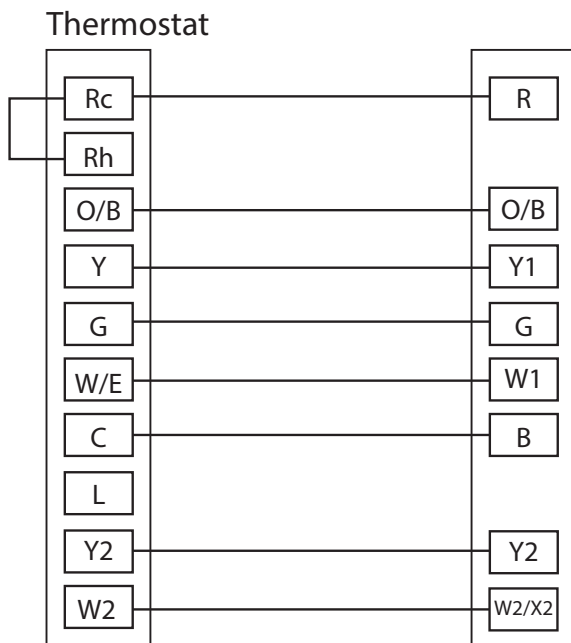
### Heat Pump with Variable Speed Gas Furnace



### 1 or 2 Stage Heat/Cool Package with Variable Speed Blower



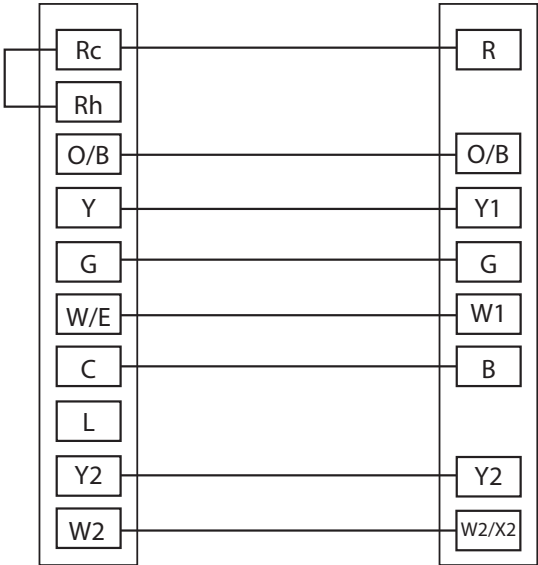
### 1 or 2 Stage Heat Pump Package with Variable Speed Blower





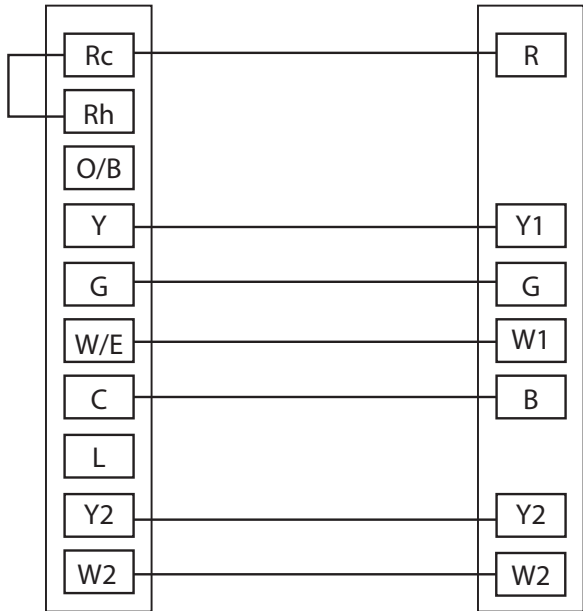
### Heat Pump Package Unit with Non Variable Speed Blower

Thermostat

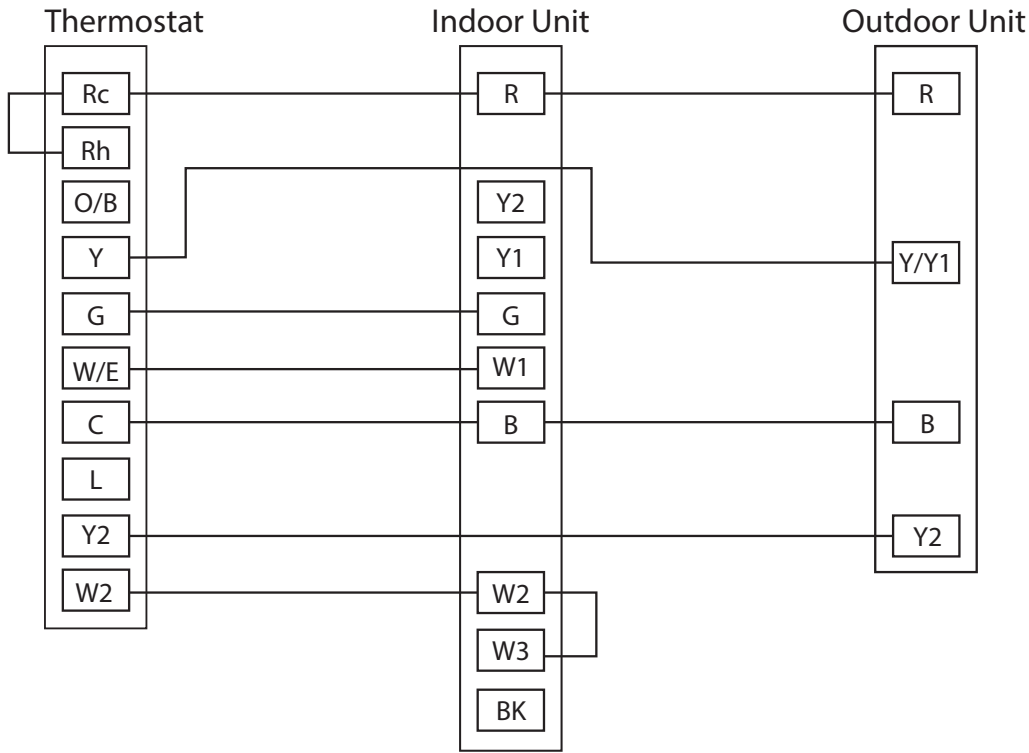


### 1 or 2 Stage Heat/Cool Package

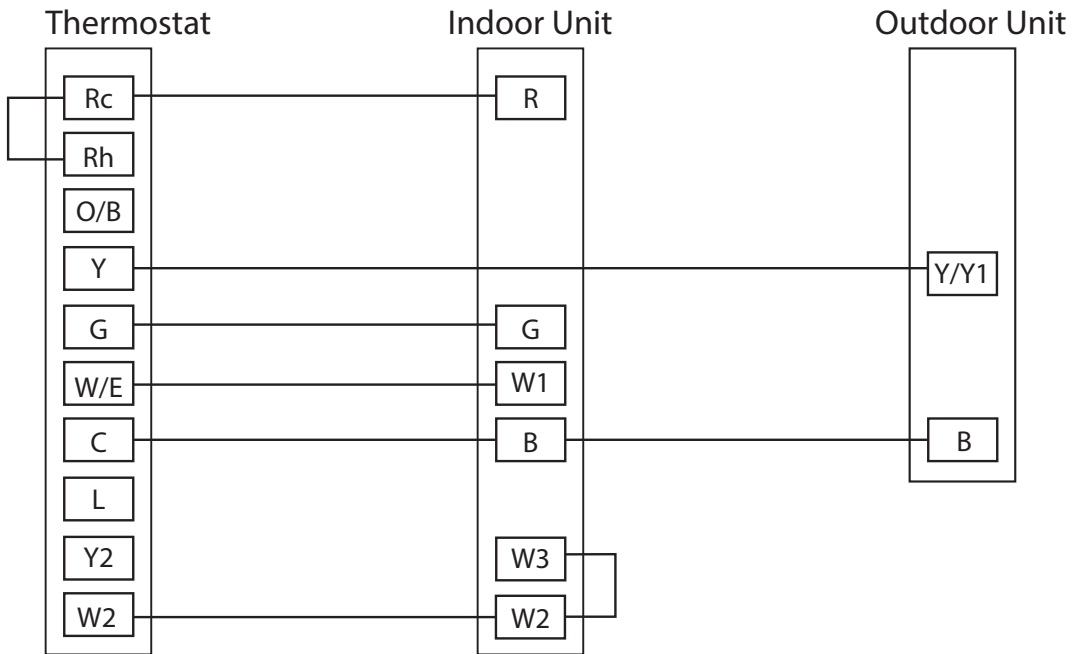
Thermostat



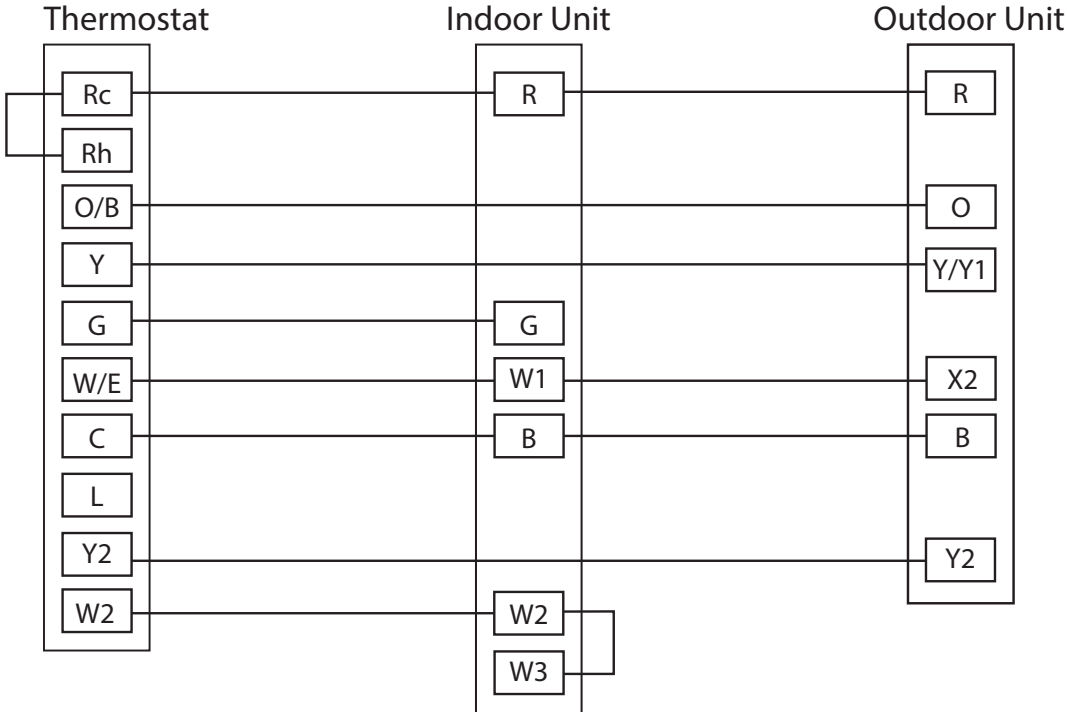
### 1 or 2 Stage Cooling with TEM 6 or Variable Speed Gas Furnace



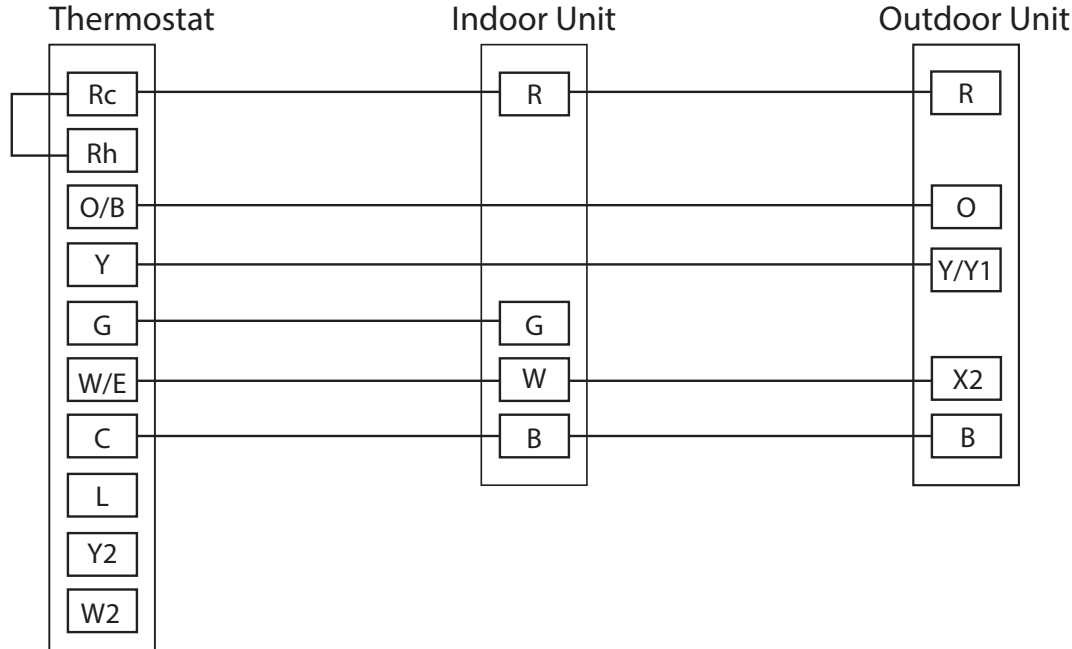
### Cooling with GAT2, GAM2 & TEM3, 4



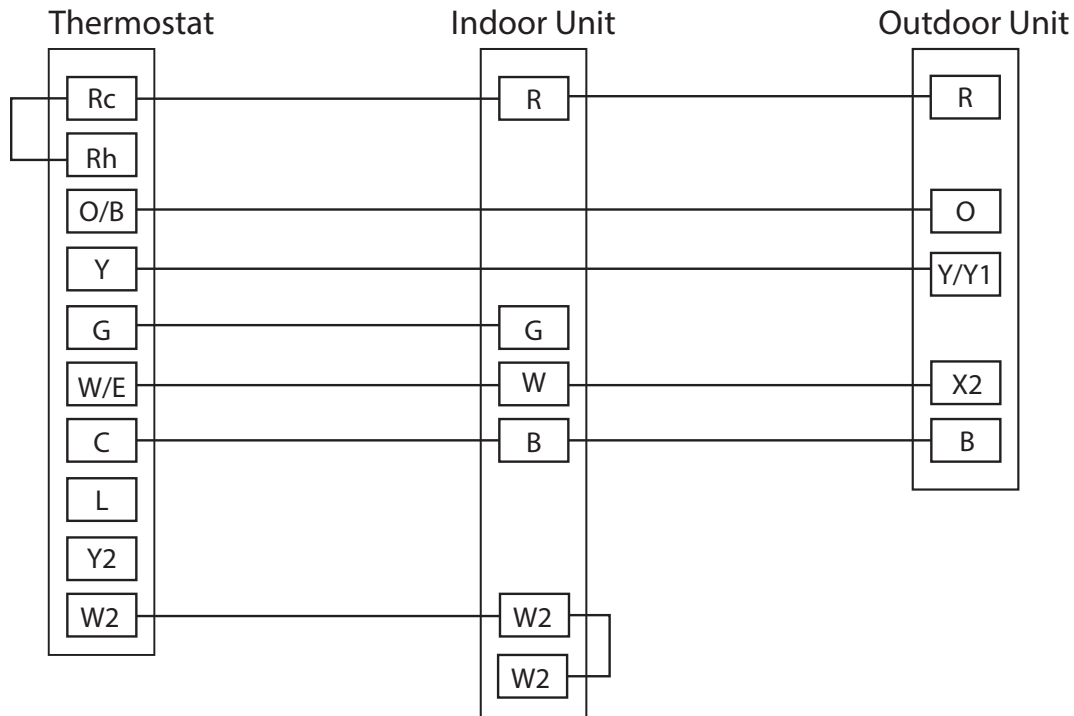
### 2 Stage Heat Pump with GAM5B



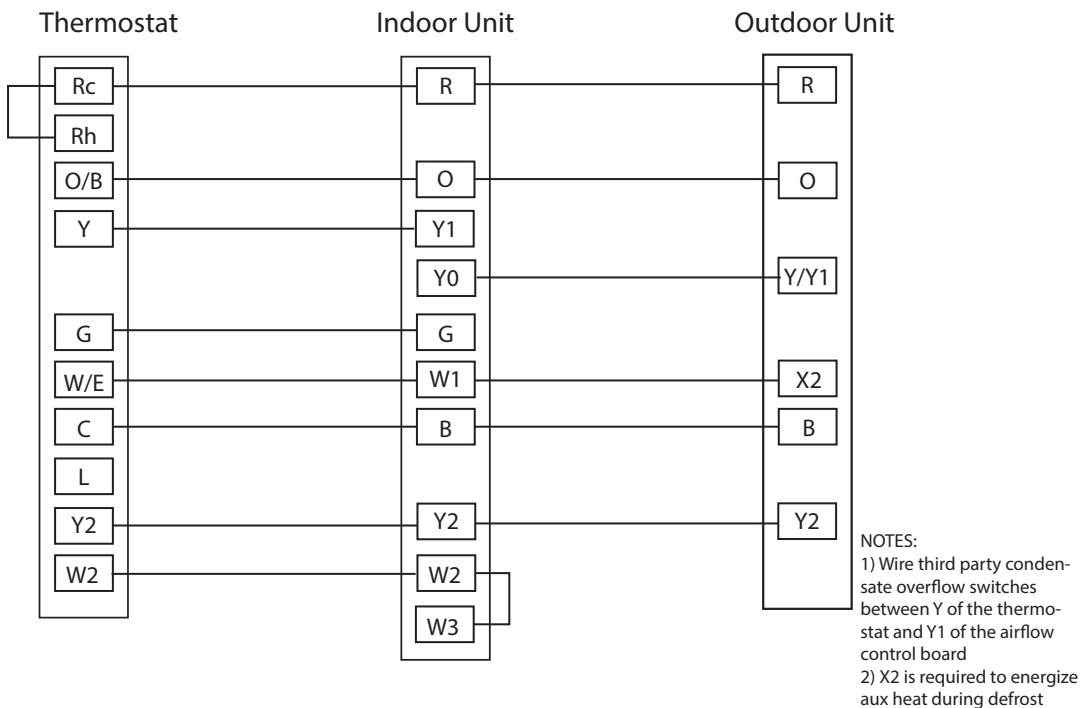
### Heat Pump with GAF2-S



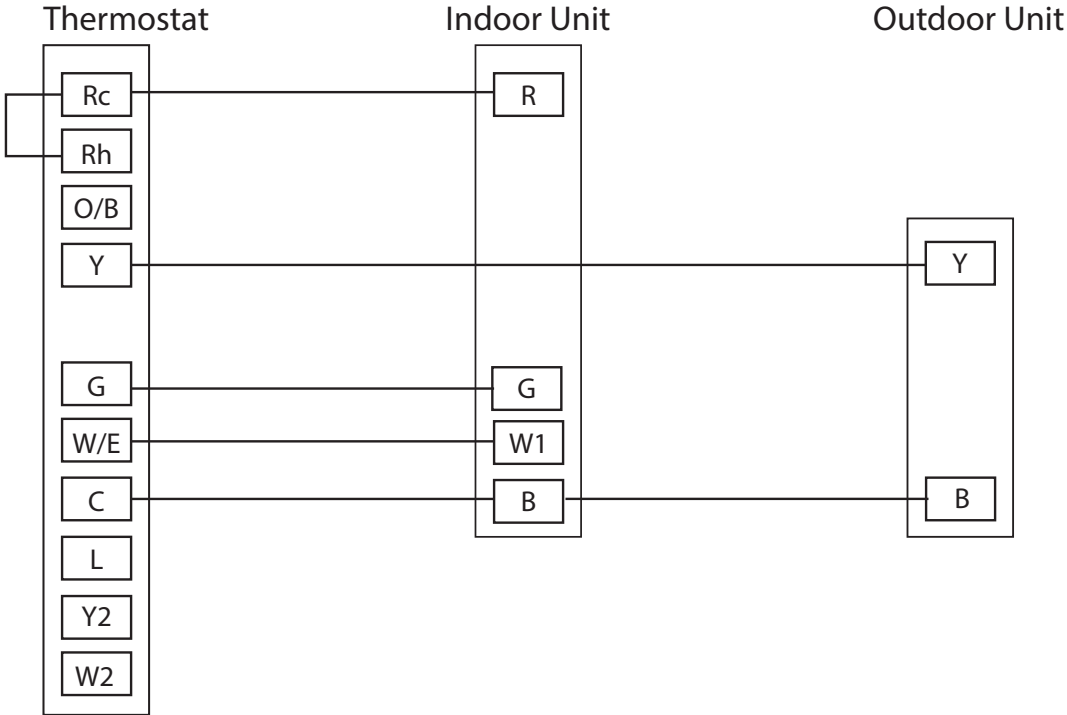
## Heat Pump with GAT2, GAM2, TEM3, TEM4



## 1 or 2 Stage Heat Pump with GAM5A OR TAM4 OR GAF2-36M




### Cooling with GAF2-S



## 4.6 Installer Menu

To prevent changes that may affect system performance, this thermostat has an INSTALLER MENU and a USER MENU. The INSTALLER MENU provides access to every option, while the USER MENU provides access to items that will not affect system performance. To access the INSTALLER MENU press the **Menu** button for 8 seconds. The display will show item 05 in the table below. Use **Next** and **back** to navigate through menu items. Press **▲** or **▼** or to change a menu setting.

INSTALLER MENU (HOLD MENU 8 SEC- ONDS)	DESCRIPTION	DEFAULT SETTING (FLASHING ICONS)	SETTINGS (PRESS ▲ OR ▼)
05	<b>Outdoor Equipment:</b> selects air conditioner (AC) or heat pump (HP) equipment as well as the number of stage	AC2	AC0 AC1 AC2 HP1 HP2
10	<b>Indoor Equipment:</b> selects whether the equipment is a gas furnace, electric furnace or fan only	EL2	FAN GA1 GA2 (conventional only) EL1 EL2 (conventional only)
15 <i>dE</i>	Dedicated Emergency: W/E only operates in Emergency Aux mode. W2 becomes 1st stage Aux. Heat	OFF	On OFF
20 <i>R</i>	O,B or 3 Wire Zone Valve Selection	O	O B 3
25 <i>Fn</i>	<b>Circulation fan:</b> sets the minimum % of time for the fan to run (takes into account the fan run time with heat/cool equipment)	OFF	OFF, 10 TO 100
30 <i>CR</i>	<b>Heat Cycle Rate:</b> how often the heat will turn on	MEd	SLO – slow MEd – medium FAS – fast
32 <i>CR</i>	<b>Aux Cycle Rate:</b> how often the auxiliary heat will turn on	MEd	SLO – slow MEd – medium FAS – fast
35 <i>CR</i>	<b>Cool Cycle Rate:</b> how often the cooling will turn on	MEd	SLO – slow MEd – medium FAS – fast
50 <i>CL</i>	<b>Compressor Lockout:</b> protects the compressor from short cycling	OFF	On – 5 minute delay OFF – no delay
65	<b>Max Heat Limit:</b> maximum set point for heat mode	99	47 to 99
66	<b>Minimum Cool Limit:</b> minimum set point for cool mode	45	45 to 97
74	Schedule Type: set as either 7-Day, 5-1-1 Day or Non-Programmable	5	7 – 7 Day 5 – 5-1-1 Day 0 – Non Programmable
75	Defines periods per day	4	2 – P1, P2 4 – P1, P2, P3, P4
76 <i>E</i>	Early Start: starts heating or cooling early so your programmed temperature is reached by the programmed time	OFF	On – start early OFF – start at program period time
79	Fahrenheit or Celsius	°F	°F – Fahrenheit °C – Celsius
81	Temperature Display Adjustment: adjust the displayed “Room Temperature”	0	-5 to +5
83 <i>dL</i>	Continuous Display Light: keep the backlight always on – “C” wire required	OFF	On – always on OFF – momentarily
86	Change Air Filter: set up a monthly reminder	OFF	1 to 12 – reminder time (months) OFF – no filter reminder
88	Auto Changeover: thermostat automatically switches between heat and cool	OFF	On – enable auto OFF – disable auto
99 	Keypad Lock: prevent unwanted changes to the thermostat	OFF	On – disable buttons OFF – all buttons are active

## 5. TEST MODES

*Turn on power to the system.*

### 5.1 Fan Operation

If your system does not have a G terminal connection, skip to Heating System.

- 1.) Press the fan button to select the On position. The blower should begin to operate.
- 2.) Press the fan button to select the Auto position. The blower should stop immediately.

NOTE: when "Circulation Fan" setting is being used, the fan will run for at least that percentage of time taking into account the heating and cooling run time (fan button must be in Auto position). When in use, "FAN" will appear on the home screen (momentarily replacing the displayed time).

### 5.2 Heating System

- 1.) Press the System button to select the Heat position. Heat Pumps only - if the auxiliary heating system has a standing pilot, be sure to light it.
- 2.) Press ▲ to adjust thermostat setting to 1° above room temperature. The heating system should begin to operate and the thermostat will indicate Heat On.
- 3.) For heat pump with auxiliary- Press ▲ to adjust thermostat setting to 3° above room temperature. The auxiliary heat should begin to operate and the thermostat will indicate Heat On Aux.
- 4.) Press ▼ to adjust thermostat setting 1° below room temperature. The heating system should stop operating and the Heat On icon will disappear.

### 5.3 Auxiliary System ( only for heat pumps with auxiliary)

- 1.) Press the System button to select the Aux position.
- 2.) Press ▲ to adjust thermostat setting to 1° above room temperature. The auxiliary heating system should begin to operate and the thermostat will indicate Heat On Aux.
- 3.) Press ▼ to adjust thermostat setting 1° below room temperature. The auxiliary heating system should stop operating and the Heat On Aux icon will disappear.

### 5.4 Cooling System

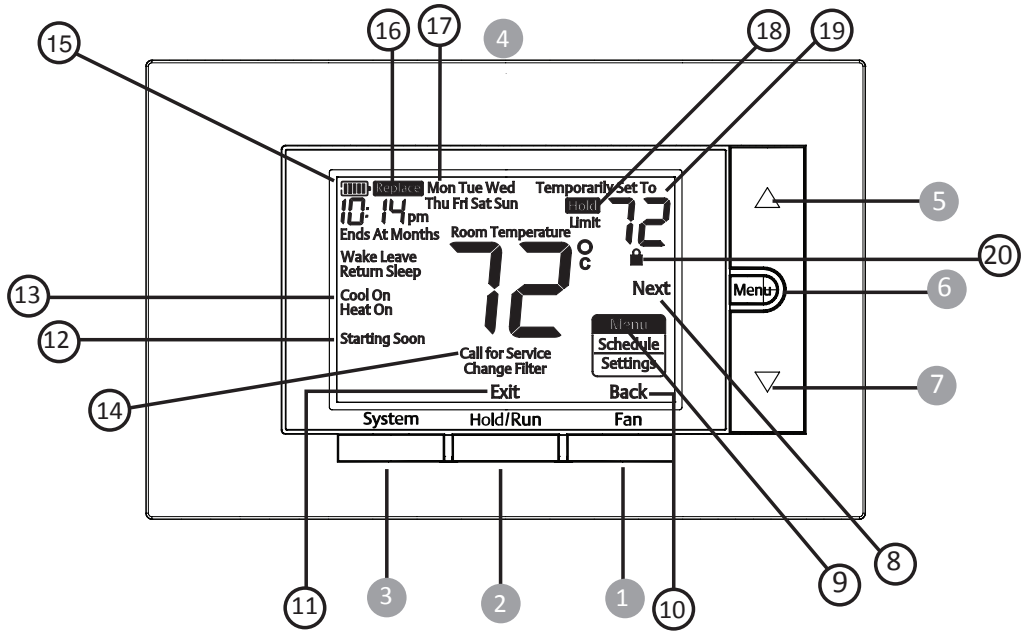
- 1.) Press the System button to select the Cool position.
- 2.) Press ▼ to adjust thermostat setting 1° below room temperature. The blower should come on immediately on high speed, followed by cold air circulation. The thermostat will indicate Cool On. There can be up to a 5 minute delay. (see INSTALLER MENU, item 50)
- 3.) Press ▲ to adjust thermostat setting to 1° above room temperature. The cooling system should stop operating and the Cool On icon will disappear.<sup>1</sup>




<sup>1</sup> Note: If **Starting Soon** is shown on the display, the compressor lockout feature is operating. There will be up to a 5 minute delay before the compressor turns on (see Installer Menu, item 50)

## 6. Thermostat Overview

Before you begin using your thermostat, you should be familiar with its features, display and the location/operation of the thermostat buttons and switches.

THERMOSTAT BUTTONS AND SWITCHES	THE DISPLAY
1.) Fan Button	8.) Next (Menu button) is used to navigate within a menu
2.) Hold a permanent temperature or press again to cancel hold (return to programmed schedule)	9.) Set the correct time, access the schedule and customize thermostat settings
3.) System Button	10.) Back (Fan button) is used to navigate within a menu
4.) Backlight Button (located on the top of the thermostat)	11.) Exit (Hold/Run button) returns to the home screen
5.) Raises Temperature Setting	12.) Thermostat is protecting the equipment from short cycling (5-minute delay)
6.) Access Menu Options	13.) Indicates that the system is running in Cool, Heat or Auxiliary mode. (Heat Pump Only -The auxiliary will run in Heat mode when the heat pump cannot maintain the set temperature.)
7.) Lowers Temperature Setting	14.) SEE TROUBLESHOOTING
	15.) Battery status indicator
	16.) Replace battery indicator
	17.) Day of the week used when programming a schedule
	18.) Permanent hold (bypassing the schedule)
	19.) Temperature set point
	20.) Appears when the keypad is locked (to prevent unwanted changes)



Whenever “ Replace ” appears in the display, new premium brand AA alkaline batteries should be installed. If the house will be unoccupied for an extended period and either “ ” or “ Replace ” is displayed, install new batteries before leaving.



## 6.1 User Menu

To customize thermostat settings, press the Menu button from the home screen. Use the ▲ or ▼ buttons to highlight Settings and press Next. Use Next and Back to navigate through menu items. Press ▲ or ▼ to change the setting.

USER'S MENU # (PRESS MENU BUT- TON AND RELEASE)	DESCRIPTION	DEFAULT SETTING (FLASHING ICONS)	SETTINGS (PRESS ▲ OR ▼)
01	Schedule Type: set as either 7-Day, 5-1-1 Day or Non Programmable	5	7 – 7 Day 5 – 5-1-1 Day 0 – Non-Programmable
02	Defines periods per day	4	2 - P1, P2 4 - P1, P2, P3, P4
03 <i>E</i>	Early Start: starts heating or cooling early so your programmed temperature is reached by the programmed time	OFF	On – start early OFF – start at program period time
04 <i>Fn</i>	Circulation Fan: sets the minimum % of time for the fan to run (takes into account the fan run time with heat/cool equipment)	OFF	OFF, 10 to 100
05	Fahrenheit or Celsius	°F	°F – Fahrenheit °C – Celsius
06	Temperature Display Adjustment: adjust the Room Temperature)	0	-5 to +5
07 <i>dL</i>	Continuous Display Light: keep the backlight always on – “C” wire required	OFF	On – always on OFF – momentarily
08	Change Air Filter: set up a monthly reminder	OFF	1 to 12 – reminder time (months) OFF – no filter reminder
09	Auto-Changeover: thermostat automatically switches between heat and cool	OFF	On - enable auto OFF - disable auto

## 6.2 Thermostat Operation

Set Current Time and Day


Note: Time icons will flash at initial power up or after a reset.

- 1.) Press Menu
- 2.) The time icon will be flashing. Press Next to advance and set the time
- 3.) Use ▲ or ▼ to set the correct time
- 4.) Press Next and use ▲ or ▼ to set the correct day
- 5.) Press Exit when finished.

The default program is 5-1-1 Day, but can be setup as a 7-Day or Non-Programmable thermostat (refer to the User Menu above).

- Hold Temperature (bypassing the schedule) – With the System set to Heat or Cool, momentarily press the Hold/Run button. Hold will be displayed. Use ▲ or ▼ to adjust the temperature. The thermostat will hold the room temperature at the selected setting until you press Hold/Run again to start program operation (cancels permanent Hold).
- Program Override (Temporary Hold) – Press ▲ or ▼ until the desired temperature is displayed. The thermostat will override the schedule until the next programmed time period with a minimum override of 2

hours. Then the thermostat will automatically revert to the program.

- Keypad Lockout – To prevent unwanted changes, the buttons can be disabled. To turn this feature On, press and hold ▲ and the Menu button until the  icon appears. To turn Off, press and hold ▲ and the Menu button for 3 seconds.
- Circulation fan - makes sure the air is being re-circulated by establishing a minimum run-time for the fan regardless of whether the heating and cooling equipment is running. When in use, “FAn” will appear on the home screen (momentarily replacing the displayed time). *Choosing a setting of 30% will ensure the fan runs at least 30% in a day, taking into account the time the fan has run during any heating or cooling event.*

## 6.3 Scheduling

### Energy Saving Factory Schedule

This thermostat is programmed with the energy saving settings shown in the table below for all days of the week

	P1/WAKE	P2/LEAVE	P3/RETURN	P4/SLEEP
Heating Schedule	6:00 AM - 70°F	8:00 AM - 62°F	5:00 PM - 70°F	10:00 PM - 62°F
Cooling Schedule	6:00 AM - 78°F	8:00 AM - 85°F	5:00 PM - 78°F	10:00 PM - 82°F

*Note: Thermostat can be programmed on or off the subbase*

## 6.4 Modify the Heating Schedule

- 1.) Use the System button to select Heat
- 2.) Press Menu
- 3.) Use the button to select Schedule and press Next to enter the schedule
- 4.) The time icons will flash – use ▲ or ▼ to set the time for the start of a period
- 5.) Press Next – the set point icons will flash – use ▲ or ▼ to set the temperature for the current period
- 6.) Continue to press Next to advance through all periods (P1/Wake, P2/Leave, P3/Return, P4/Sleep) for all days of the week.

Note: Press Back to return to the previous setting. Once all days of the week have been programmed the thermostat will display End. Press Exit at any time to save changes and return to home screen.

## 6.5 Modify the Cooling Schedule

- 1.) Use the System button to select Cool
- 2.) Repeat steps 2-6 from the heating schedule


## 6.6 Thermostat Settings

### Resetting the Thermostat or Thermostat Settings

If the thermostat has good batteries, but has a blank display or does not respond to key presses, the thermostat should be reset by removing the batteries for 2 minutes. This reset will not change the menu settings or program. If the condition persists after reinstalling the batteries, replace the thermostat.

To conveniently reset only the schedule and user settings back to factory defaults, press Menu and Backlight buttons at the same time and hold until the display goes blank and resets.

## 7. Troubleshooting

SYMPTOM	POSSIBLE CAUSE	CORRECTIVE ACTION
No Heat/ No Cool/ No Fan (common problem)	1.) Blown fuse or tripped circuit breaker 2.) Furnace power switch to OFF 3.) Furnace blower compartment door panel loose or not properly installed 4.) Loose connection to thermostat or system	1.) Replace fuse or reset breaker  2.) Turn switch to ON 3.) Replace door panel in proper position to engage safety interlock or door switch  4.) Tighten Connections
No Heat	1.) System not set to Heat 2.) Loose connection to thermostat or system 3.) Heating System requires service or thermostat requires replacement	1.) Set thermostat to Heat. 2.) Verify thermostat and system wires are securely attached. 3.) Diagnostic: Set System to Heat and raise the set point above room temperature. Within five minutes the thermostat should make a soft click sound and "Heat On" should appear on display. This sound indicates the thermostat is operating properly. If the thermostat does not click, try the reset operation listed below. If the thermostat does not click after being reset, contact your heating and cooling service person or place of purchase for a replacement. If the thermostat clicks, contact the furnace manufacturer or a service person to verify the heating system is operating correctly.
No Cool	1.) System not set to Cool 2.) Loose connection to thermostat or system 3.) Cooling System requires service or thermostat requires replacement	1.) Set thermostat to Cool. 2.) Verify thermostat and system wires are securely attached. 3.) Diagnostic: Set System to Cool and lower set point below room temperature. Same procedures as diagnostic for "No Heat" condition except set the thermostat to Cool and lower the set point below the room temperature. There may be up to a five minute delay before the thermostat clicks in Cooling if the compressor lock-out option is selected in the installer menu. (see INSTALLER MENU, item 50)
Heat, Cool or Fan Runs Constantly	Possible short in wiring, thermostat, heat, cool or fan system	Check each wire connection to verify they are not shorted or touching other wires. Try resetting the thermostat. If the condition persists contact your HVAC service person.
Thermostat Display & Thermometer Disagree	Thermostat display requires adjustment	Display can be adjusted +/-5°. See User Menu item 05
Furnace (Air Conditioner) Cycles Too Fast or Slow (narrow or wide temperature swing)	The location of the thermostat and/or the size of the Heating System may be influencing the cycle rate	Digital thermostats provide precise control and cycle faster than older mechanical models. The system turns on and off more frequently, but runs for a shorter time. If you would like to increase cycle time, choose SLO for slow cycle in the Installer menu. (Reference menu items 30, 32 & 35.) If an acceptable cycle rate is not achieved, contact your HVAC service person.
"Call for Service" icon appears on displayed	1.) Heating system is not able to heat the space to within 10 degrees of the set point within 2 hours 2.) Cooling system is not able to cool the space to within 10 degrees of the set point within 2 hours 3.) If "--" is displayed for the Room Temperature, a replacement thermostat is needed 4.) None of the buttons operate on the thermostat 5.) If "Call for Service" is flashing, compressor self diagnostic is detecting an issue with the outdoor unit	1.) See corrective action for "No Heat"  2.) See corrective action for "No Cool"  3.) Replace thermostat  4.) Make sure keypad lockout is not turned on (  ), If it's OFF, try reset shown below. 5.) Contact a service person to verify the outdoor equipment is operating correctly



The manufacturer has a policy of continuous product and product data improvement and it reserves the right to change design and specifications without notice.

Representative-only illustrations included in this document.  
08/2018