



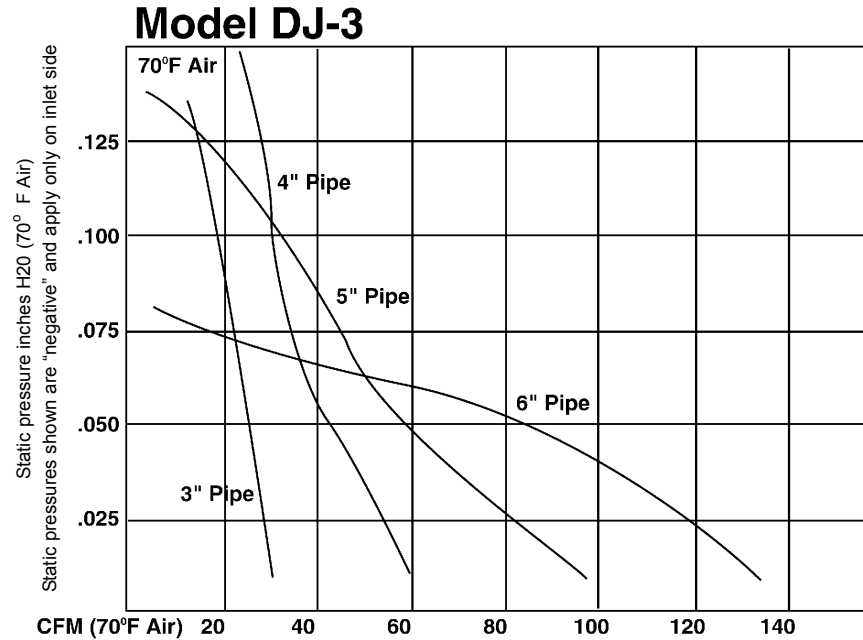
TJERNLUND PRODUCTS, INC.

1601 Ninth Street • White Bear Lake, MN 55110-6794
 PHONE (800) 255-4208 • (651) 426-2993 • FAX (651) 426-9547
 Visit our web site • www.tjernlund.com

MODEL DJ-3 DRAFT INDUCER SPECIFICATIONS

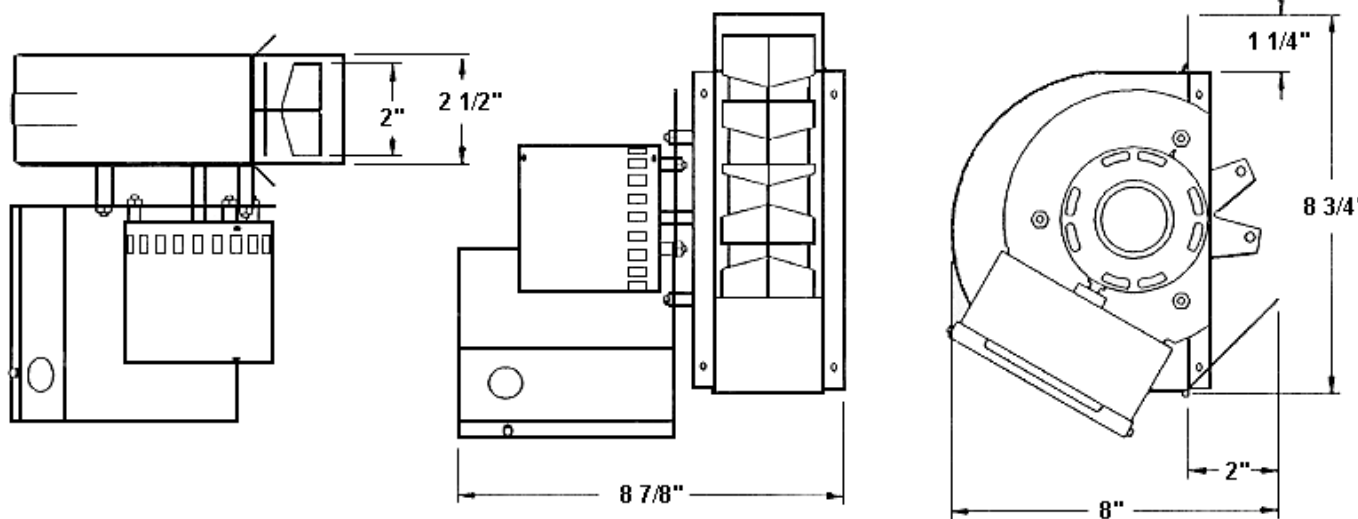
Performance Curves

MODEL NO.	PIPE SIZE IN.	GAS FIRING WITH DRAFT HOOD				GAS FIRING WITH BAR. DRAFT CONTROL				OIL FIRING WITH BAR. DRAFT CONTROL			
		HEATER BTU INPUT		270°F FLUE GAS		HEATER BTU INPUT		390°F FLUE GAS		HEATER BTU INPUT		530°F FLUE GAS	
		S.P.	CFM	S.P.	CFM	S.P.	CFM	S.P.	CFM	S.P.	CFM	S.P.	CFM
DJ-3	3	69,000	.034	48	72,000	.047	36	58,000	.048	33			
	4	105,000	.042	72	109,000	.053	55	92,000	.057	48			
	5	111,000	.043	72	104,000	.052	52	74,000	.052	39			
	6	100,000	.041	68	34,000	.042	17	25,000	.035	13			



- Inputs shown are believed to be maximum capacities for inducers when mounted on pipe sizes shown for ordinary jobs where a moderate amount of mechanical induced draft is required.
- Consideration is given to typically higher static pressure requirements for larger installations, for the type of fuel burned and for the type of draft control installed.
- Where pressure requirements are unknown or believed to be unusually severe, ask for complete performance curves or consult factory.
- All ratings have been developed in our testing and research department and have been approved by a nationally known independent testing laboratory. Certification is available upon request.
- Heating capacities shown are for 1000 BTU per cubic foot natural gas and for 139,000 BTU per gallon No. 2 fuel oil. Consult factory for capacities with other fuels. Heating capacities are based on typical combustion efficiencies and allow for approximately 5 percent ambient air drawn into inducer to cool motor and drives.
- Draft Inducers should be installed in single wall vent pipe in order to insure proper performance.

Note: Tjernlund Products, Inc. reserves the right to make changes to specifications without notification.



MOTOR SPECIFICATIONS

ELECTRICAL DATA

Volts	115
Hertz	60
RPM	1550
Watts	35
Amps	.43
Therm. Prot.	Imp. Prot.

P/N 8506000
 REV. C 11/05



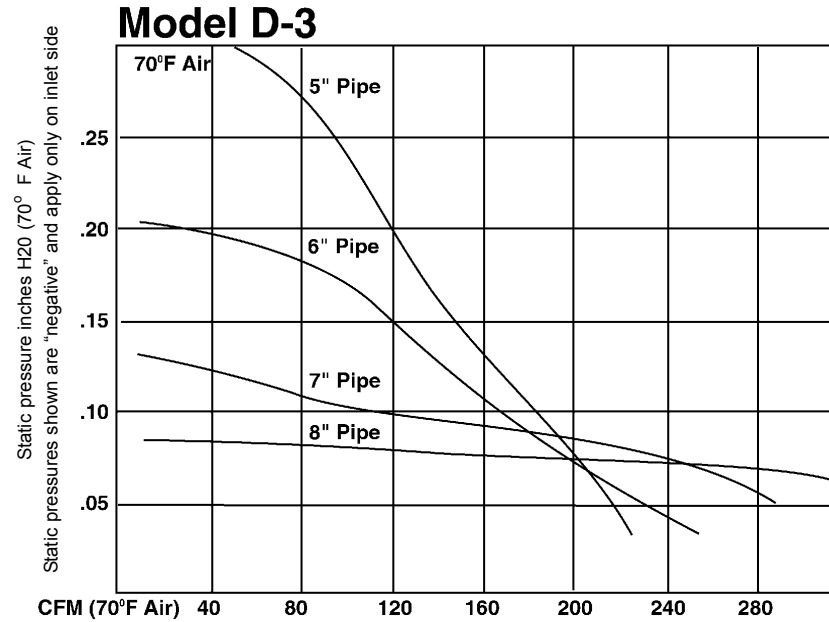
TJERNLUND PRODUCTS, INC.

1601 Ninth Street • White Bear Lake, MN 55110-6794
 PHONE (800) 255-4208 • (651) 426-2993 • FAX (651) 426-9547
 Visit our web site • www.tjernlund.com

MODEL D-3 DRAFT INDUCER SPECIFICATIONS

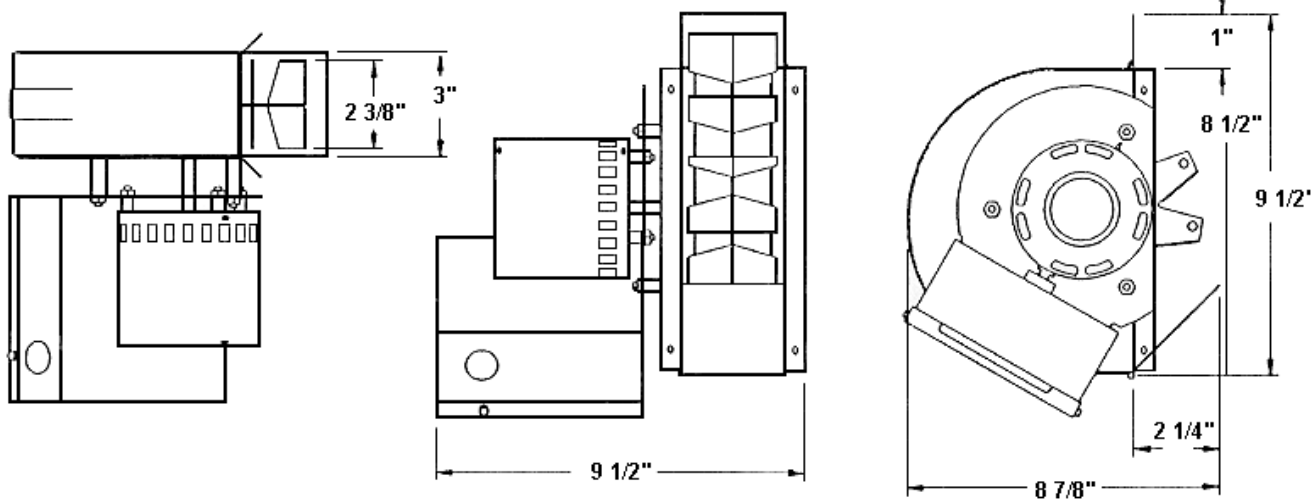
Performance curves

MODEL NO.	PIPE SIZE IN.	GAS FIRING WITH DRAFT HOOD				GAS FIRING WITH BAR. DRAFT CONTROL				OIL FIRING WITH BAR. DRAFT CONTROL			
		HEATER BTU INPUT		270°F FLUE GAS		HEATER BTU INPUT		390°F FLUE GAS		HEATER BTU INPUT		530°F FLUE GAS	
		S.P.	CFM	S.P.	CFM	S.P.	CFM	S.P.	CFM	S.P.	CFM		
D-3	5	270,000	.063	190	330,000	.085	166	295,000	.092	163			
	6	356,000	.073	246	377,000	.090	190	300,000	.093	169			
	7	360,000	.075	259	330,000	.085	166	230,000	.080	118			
	8	320,000	.068	217	222,000	.075	110	123,000	.065	65			



- Inputs shown are believed to be maximum capacities for inducers when mounted on pipe sizes shown for ordinary jobs where a moderate amount of mechanical induced draft is required.
- Consideration is given to typically higher static pressure requirements for larger installations, for the type of fuel burned and for the type of draft control installed.
- Where pressure requirements are unknown or believed to be unusually severe, ask for complete performance curves or consult factory.
- All ratings have been developed in our testing and research department and have been approved by a nationally known independent testing laboratory. Certification is available upon request.
- Heating capacities shown are for 1000 BTU per cubic foot natural gas and for 139,000 BTU per gallon No. 2 fuel oil. Consult factory for capacities with other fuels. Heating capacities are based on typical combustion efficiencies and allow for approximately 5 percent ambient air drawn into inducer to cool motor and drives.
- Draft Inducers should be installed in single wall vent pipe in order to insure proper performance.

Note: Tjernlund Products, Inc. reserves the right to make changes to specifications without notification.



MOTOR SPECIFICATIONS	
ELECTRICAL DATA	
Volts	115
Hertz	60
RPM	1550
Watts	74
Amps	.96
Therm. Prot.	Yes



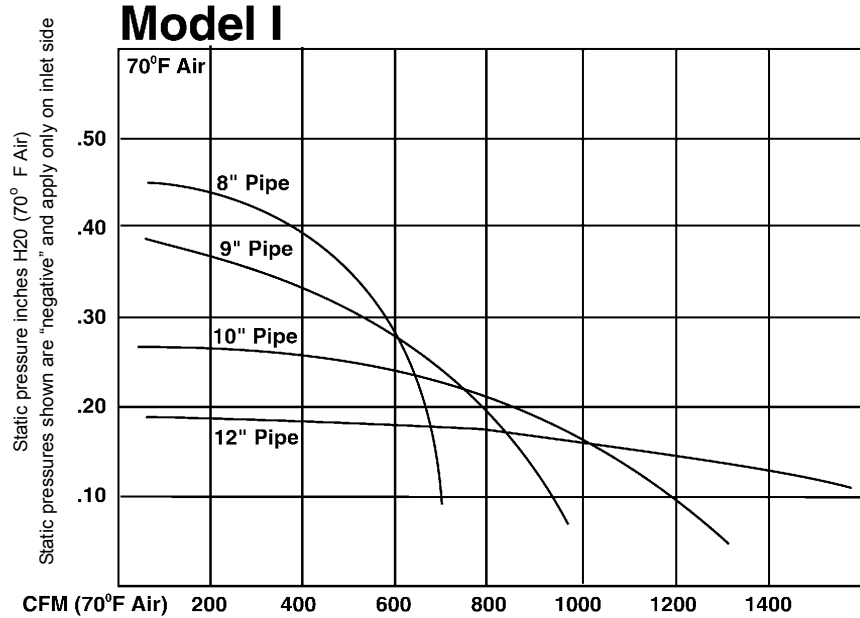
TJERNLUND PRODUCTS, INC.

1601 Ninth Street • White Bear Lake, MN 55110-6794
 PHONE (800) 255-4208 • (651) 426-2993 • FAX (651) 426-9547
 Visit our web site • www.tjernlund.com

MODEL I DRAFT INDUCER SPECIFICATIONS

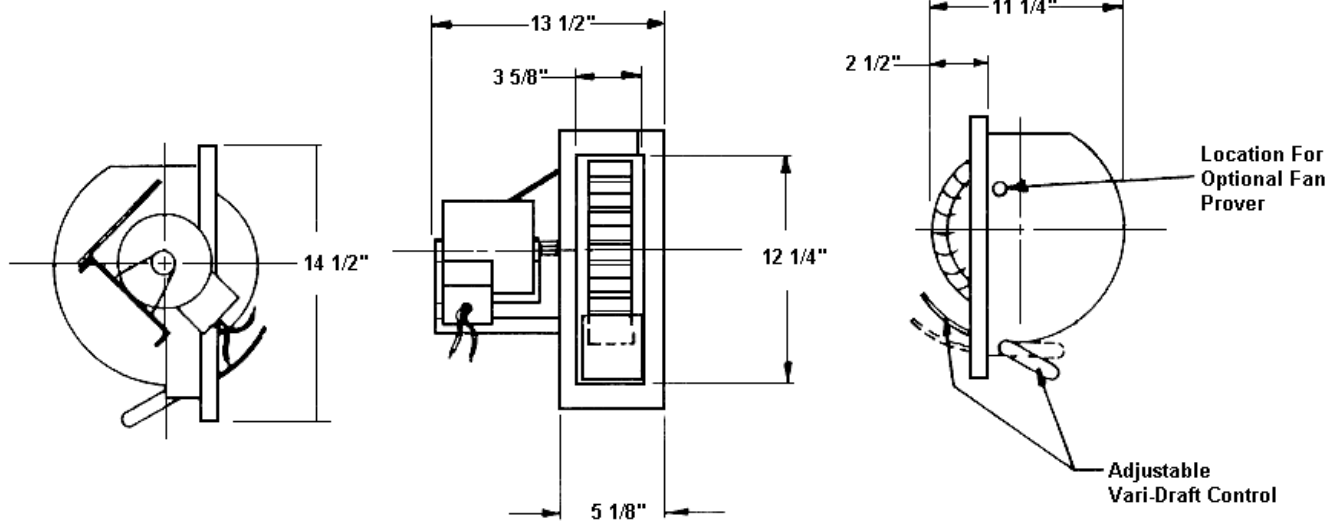
Performance curves

MODEL NO.	PIPE SIZE IN.	GAS FIRING WITH DRAFT HOOD				GAS FIRING WITH BAR. DRAFT CONTROL				OIL FIRING WITH BAR. DRAFT CONTROL			
		HEATER BTU INPUT		270°F FLUE GAS		HEATER BTU INPUT		390°F FLUE GAS		HEATER BTU INPUT		530°F FLUE GAS	
		S.P.	CFM	S.P.	CFM	S.P.	CFM	S.P.	CFM	S.P.	CFM		
I	8	900,000	.125	590	1,200,000	.143	603	1,100,000	.147	566			
	9	1,110,000	.135	765	1,330,000	.150	653	1,100,000	.148	566			
	10	1,250,000	.140	850	1,260,000	.145	615	840,000	.136	440			
	12	1,030,000	.128	710	710,000	.115	357	400,000	.100	211			



- Inputs shown are believed to be maximum capacities for inducers when mounted on pipe sizes shown for ordinary jobs where a moderate amount of mechanical induced draft is required.
- Consideration is given to typically higher static pressure requirements for larger installations, for the type of fuel burned and for the type of draft control installed.
- Where pressure requirements are unknown or believed to be unusually severe, ask for complete performance curves or consult factory.
- All ratings have been developed in our testing and research department and have been approved by a nationally known independent testing laboratory. Certification is available upon request.
- Heating capacities shown are for 1000 BTU per cubic foot natural gas and for 139,000 BTU per gallon No. 2 fuel oil. Consult factory for capacities with other fuels. Heating capacities are based on typical combustion efficiencies and allow for approximately 5 percent ambient air drawn into inducer to cool motor and drives.
- Draft Inducers should be installed in single wall vent pipe in order to insure proper performance.

Note: Tjernlund Products, Inc. reserves the right to make changes to specifications without notification.



MOTOR SPECIFICATIONS

ELECTRICAL DATA

Volts	115
Hertz	60
RPM	1725
Watts	1/4 HP
Amps	5.4
Therm. Prot.	Yes



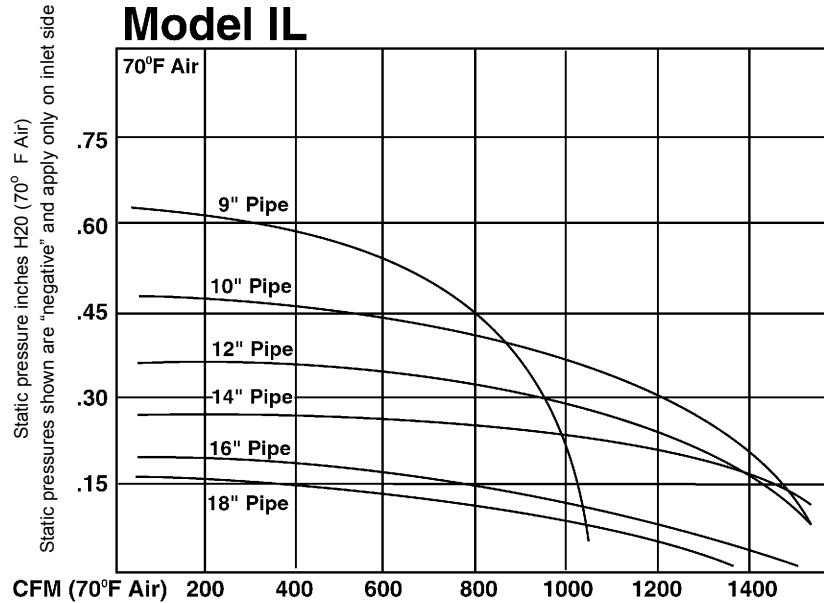
TJERNLUND PRODUCTS, INC.

1601 Ninth Street • White Bear Lake, MN 55110-6794
 PHONE (800) 255-4208 • (651) 426-2993 • FAX (651) 426-9547
 Visit our web site • www.tjernlund.com

MODEL IL DRAFT INDUCER SPECIFICATIONS

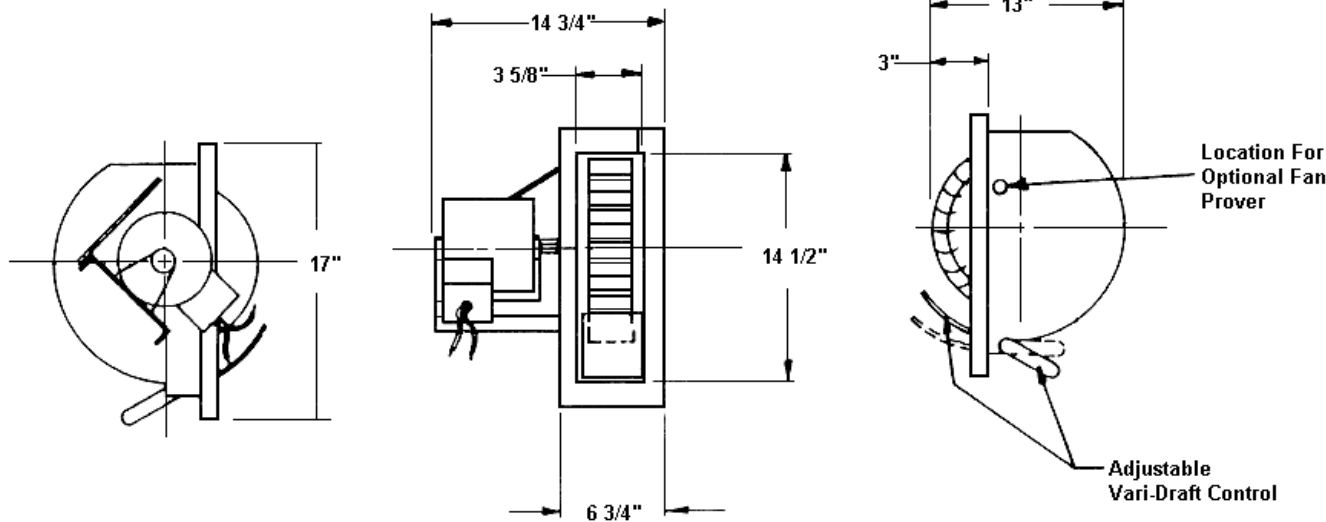
Performance curves

MODEL NO.	PIPE SIZE IN.	GAS FIRING WITH DRAFT HOOD		GAS FIRING WITH BAR. DRAFT CONTROL		OIL FIRING WITH BAR. DRAFT CONTROL				
		270°F FLUE GAS		390°F FLUE GAS		530°F FLUE GAS				
		HEATER BTU INPUT	S.P.	CFM	HEATER BTU INPUT	S.P.	CFM	HEATER BTU INPUT	S.P.	CFM
IL	9	1,460,000	.145	1010	1,970,000	.175	989	1,700,000	.180	900
	10	2,080,000	.170	1370	2,460,000	.185	1240	1,900,000	.180	1010
	12	1,920,000	.160	1325	2,230,000	.182	1120	1,500,000	.170	789
	14	1,840,000	.159	1270	1,470,000	.158	740	825,000	.135	453
	16	900,000	.120	620	650,000	.113	340	350,000	.095	184
	18	650,000	.099	450	440,000	.095	220	200,000	.075	106



- Inputs shown are believed to be maximum capacities for inducers when mounted on pipe sizes shown for ordinary jobs where a moderate amount of mechanical induced draft is required.
- Consideration is given to typically higher static pressure requirements for larger installations, for the type of fuel burned and for the type of draft control installed.
- Where pressure requirements are unknown or believed to be unusually severe, ask for complete performance curves or consult factory.
- All ratings have been developed in our testing and research department and have been approved by a nationally known independent testing laboratory. Certification is available upon request.
- Heating capacities shown are for 1000 BTU per cubic foot natural gas and for 139,000 BTU per gallon No. 2 fuel oil. Consult factory for capacities with other fuels. Heating capacities are based on typical combustion efficiencies and allow for approximately 5 percent ambient air drawn into inducer to cool motor and drives.
- Draft Inducers should be installed in single wall vent pipe in order to insure proper performance.

Note: Tjernlund Products, Inc. reserves the right to make changes to specifications without notification.



MOTOR SPECIFICATIONS

ELECTRICAL DATA

Volts	115
Hertz	60
RPM	1725
Watts	1/4 HP
Amps	5.4
Therm. Prot.	Yes



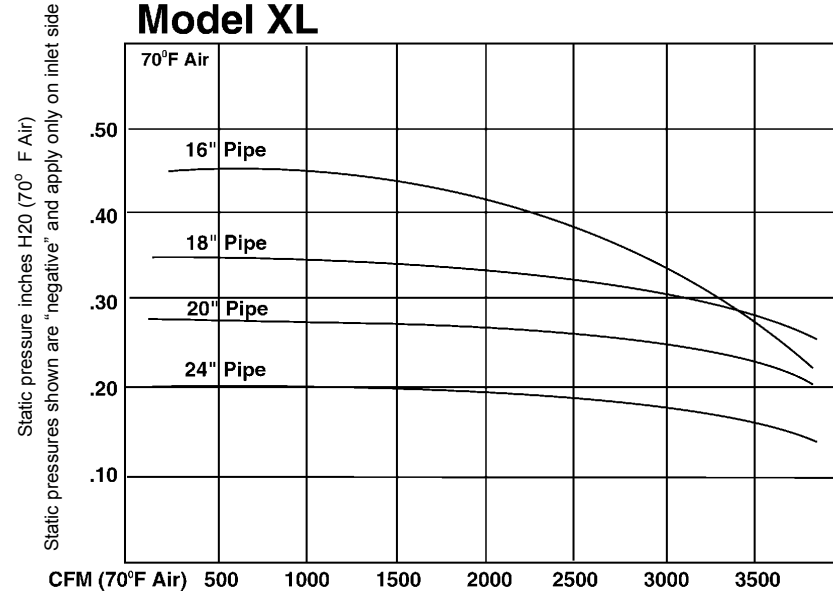
TJERNLUND PRODUCTS, INC.

1601 Ninth Street • White Bear Lake, MN 55110-6794
 PHONE (800) 255-4208 • (651) 426-2993 • FAX (651) 426-9547
 Visit our web site • www.tjernlund.com

MODEL XL DRAFT INDUCER SPECIFICATIONS

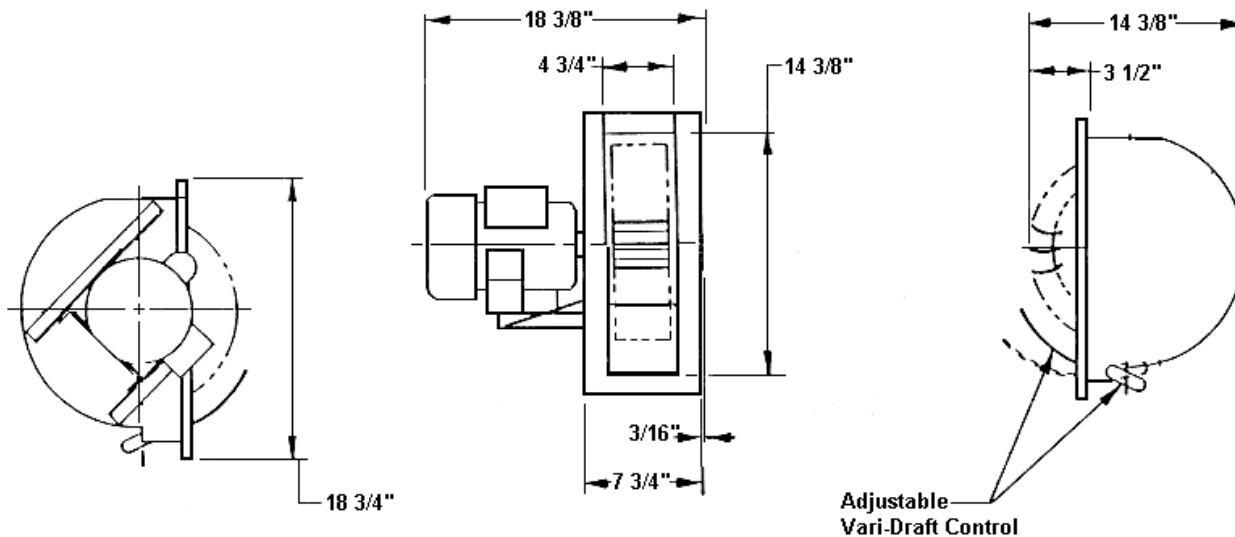
Performance curves

MODEL NO.	PIPE SIZE IN.	GAS FIRING WITH DRAFT HOOD				GAS FIRING WITH BAR DRAFT CONTROL				OIL FIRING WITH BAR DRAFT CONTROL			
		HEATER BTU INPUT		270°F FLUE GAS		HEATER BTU INPUT		390°F FLUE GAS		HEATER BTU INPUT		530°F FLUE GAS	
		S.P.	CFM	S.P.	CFM	S.P.	CFM	S.P.	CFM	S.P.	CFM		
XL	16	4,000,000	.250	2760	4,000,000	.260	2010	3,300,000	.230	1763			
	18	3,900,000	.240	2650	3,250,000	.240	1660	2,100,000	.190	1103			
	20	2,800,000	.195	1935	2,100,000	.175	1079	1,200,000	.150	626			
	24	1,500,000	.150	1035	1,100,000	.125	527	503,000	.110	266			



- Inputs shown are believed to be maximum capacities for inducers when mounted on pipe sizes shown for ordinary jobs where a moderate amount of mechanical induced draft is required.
- Consideration is given to typically higher static pressure requirements for larger installations, for the type of fuel burned and for the type of draft control installed.
- Where pressure requirements are unknown or believed to be unusually severe, ask for complete performance curves or consult factory.
- All ratings have been developed in our testing and research department and have been approved by a nationally known independent testing laboratory. Certification is available upon request.
- Heating capacities shown are for 1000 BTU per cubic foot natural gas and for 139,000 BTU per gallon No. 2 fuel oil. Consult factory for capacities with other fuels. Heating capacities are based on typical combustion efficiencies and allow for approximately 5 percent ambient air drawn into inducer to cool motor and drives.
- Draft Inducers should be installed in single wall vent pipe in order to insure proper performance.

Note: Tjernlund Products, Inc. reserves the right to make changes to specifications without notification.



MOTOR SPECIFICATIONS	
ELECTRICAL DATA	
Volts	115, 208-230
Hertz	60
RPM	1725
Watts	1 HP
Amps	12.6 @ 115
	6.2 @ 208
	6.3 @ 230
Therm. Prot.	Yes



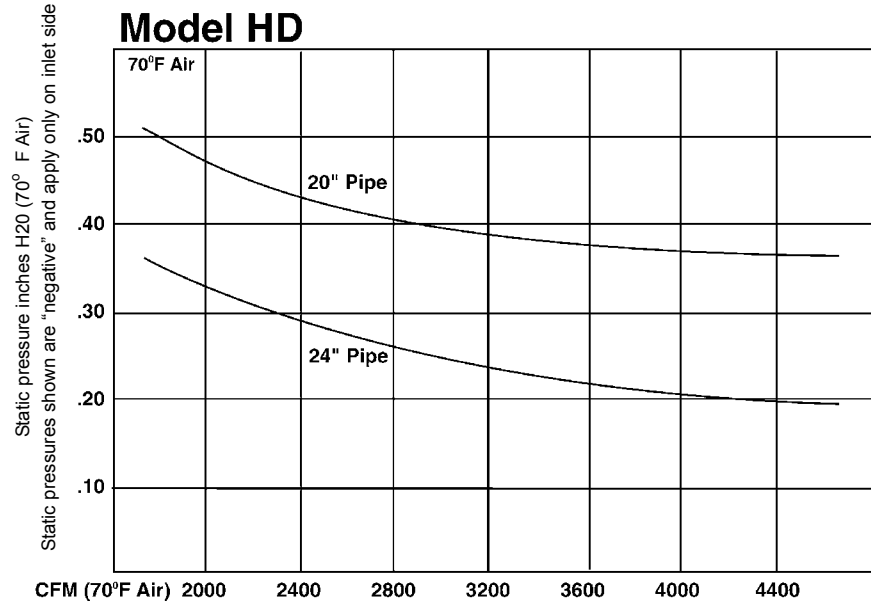
TJERNLUND PRODUCTS, INC.

1601 Ninth Street • White Bear Lake, MN 55110-6794
 PHONE (800) 255-4208 • (651) 426-2993 • FAX (651) 426-9547
 Visit our web site • www.tjernlund.com

MODEL HD DRAFT INDUCER SPECIFICATIONS

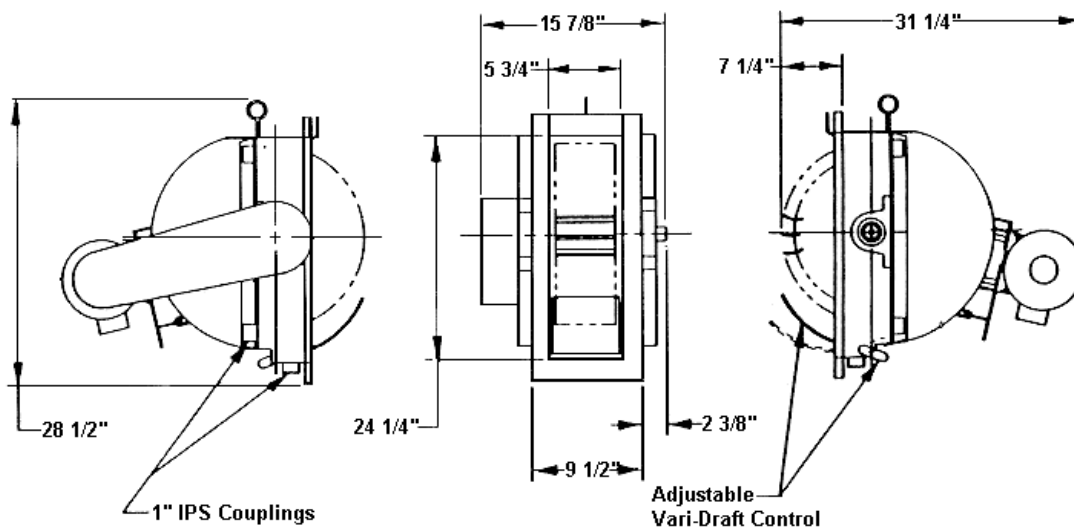
Performance curves

MODEL	PIPE SIZE IN.	GAS FIRING WITH DRAFT HOOD		GAS FIRING WITH BAR. DRAFT CONTROL		OIL FIRING WITH BAR. DRAFT CONTROL				
		HEATER BTU INPUT	270°F FLUE GAS		HEATER BTU INPUT	390°F FLUE GAS		HEATER BTU INPUT	530°F FLUE GAS	
			S.P.	CFM		S.P.	CFM		S.P.	CFM
HD	20	5,300,000	.290	3690	5,200,000	.270	2440	3,600,000	.240	1870
	24	3,500,000	.220	2415	3,750,000	.220	1660	2,900,000	.218	1550



- Inputs shown are believed to be maximum capacities for inducers when mounted on pipe sizes shown for ordinary jobs where a moderate amount of mechanical induced draft is required.
- Consideration is given to typically higher static pressure requirements for larger installations, for the type of fuel burned and for the type of draft control installed.
- Where pressure requirements are unknown or believed to be unusually severe, ask for complete performance curves or consult factory.
- All ratings have been developed in our testing and research department and have been approved by a nationally known independent testing laboratory. Certification is available upon request.
- Heating capacities shown are for 1000 BTU per cubic foot natural gas and for 139,000 BTU per gallon No. 2 fuel oil. Consult factory for capacities with other fuels. Heating capacities are based on typical combustion efficiencies and allow for approximately 5 percent ambient air drawn into inducer to cool motor and drives.
- Draft Inducers should be installed in single wall vent pipe in order to insure proper performance.

Note: Tjernlund Products, Inc. reserves the right to make changes to specifications without notification.



MOTOR SPECIFICATIONS

ELECTRICAL DATA

Volts	208-230, 460
Hertz	60
RPM	1725
Watts	2 HP
Amps	6.3 @ 208
	6.4 @ 230
	3.2 @ 460
Therm. Prot.	No